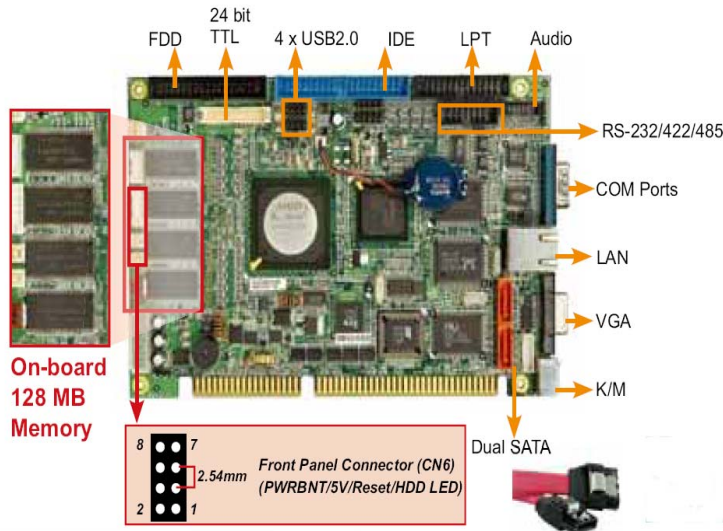




ISA-Slot CPU IOWA-GX-R11

www.ipc-markt.de



Features

- * Half Size ISA Slot-CPU fanless
- * onBoard AMD Geode GX -466/333 MHz
- * onBoard DDR-RAM 128 MB
- * DDR-SO-DIMM up to 512 MB
- * onBoard SATA Raid 0,1 Controller
- * CF-Type 2 Socket
- * RS-232, RS-422/485
- * 4 x USB onboard

Specification

- ◆ **CPU**
AMD® Geode GX-466 333MHz processor
- ◆ **System Chipset**
AMD® Geode GX CS5536
- ◆ **BIOS**
AWARD
- ◆ **System Memory**
On-board 128MB
1 x 200-pin SO-DIMM DDR 266MHz up to 512MB
- ◆ **Ethernet**
10/100Mbps Realtek RTL8100C Ethernet chipset
- ◆ **I/O Interface**
4 x USB 2.0
2 x SATA with ALI M5283 RAID 0,1 function support.
1 x IDE
1 x LPT
1 x FDD
1 x IrDA
1 x RS-232
1 x RS-232/422/485
1 x PS/2 KB/MS
- ◆ **Super I/O**
W83627EHG
- ◆ **Audio**
Realtek ALC203 with AC'97 codec
- ◆ **Digital I/O**
8-bit digital I/O, 4-bit input/ 4-bit output
- ◆ **SSD**
CF Type II

◆ Display Interface

VGA integrated in AMD® Geode GX466
24-bit TTL

◆ Watchdog Timer

Software programmable supports 1~255 sec. System reset

◆ Power Supply

5V± 5%, AT/ATX power support

◆ Power Consumption

5V@0.92A (AMD GX 466 with DDR 256MB RAM)

◆ Temperature

operation: 0°C ~ 60°C (32 ~ 140° F)

◆ Humidity

operation: 5% ~ 95% non-condensing

◆ Dimensions

185mm x 122 mm

◆ Weight

GW: 1.0Kg

Packing List

1 x IOWA-GX single board computer
1 x Mini jumper pack
1 x IDE flat cable 40p/40p/40p (P/N: 32200-000052-RS)
2 x SATA cable (P/N: 32000-062800-RS)
1 x SATA power cable (P/N: 32100-088600-RS)
1 x KB/MS Y cable (P/N: 32000-000138-RS)
1 x USB cable (P/N: CB-USB02-RS)
1 x Audio cable (32000-072101-RS)
1 x Utility CD
1 x QIG