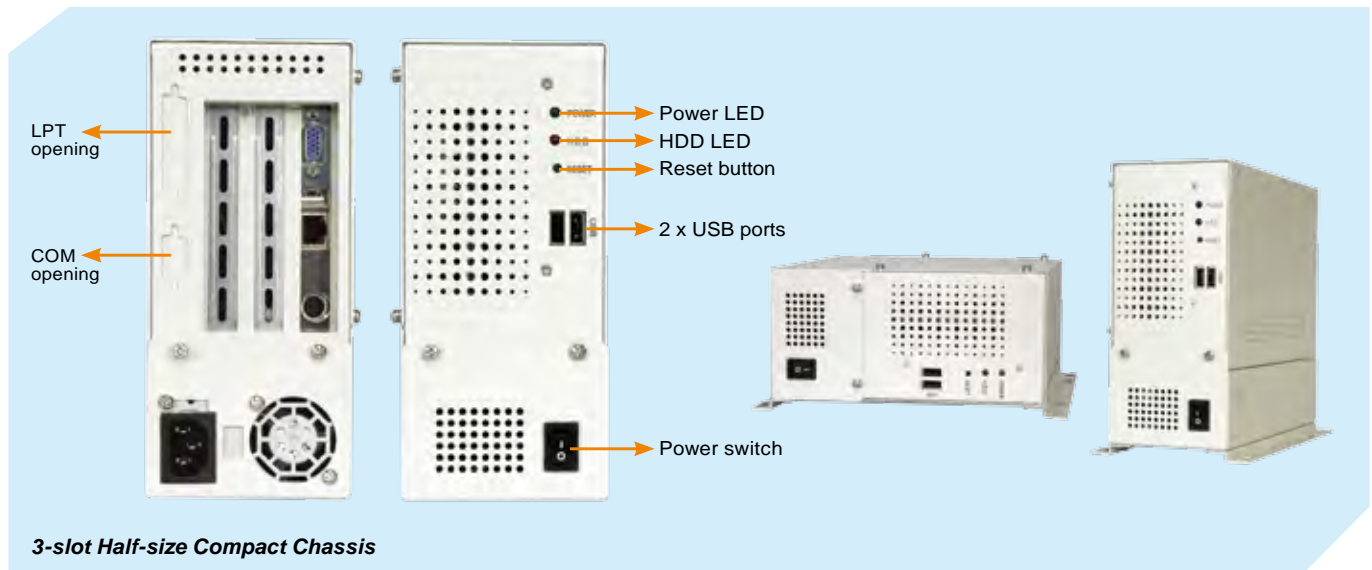


PAC-53GH



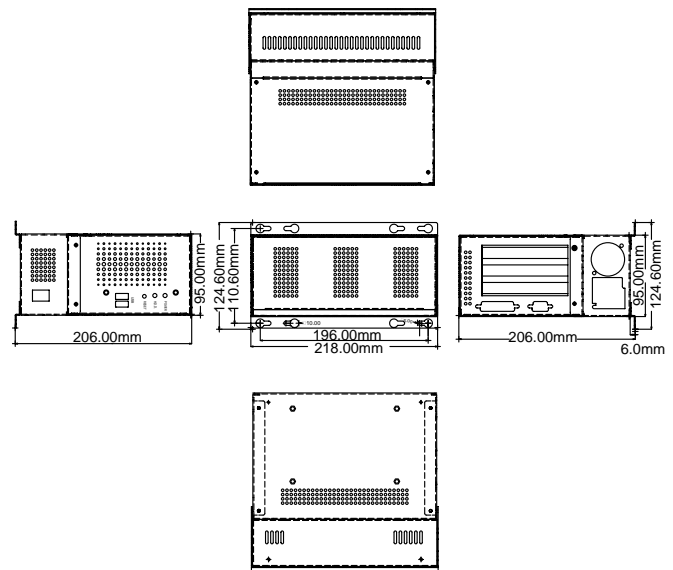
Features

- ◆ RoHS compliant design
- ◆ Two USB ports on the front panel
- ◆ One 2.5" internal HDD bay

Specifications

◆ Construction	Heavy duty metal
◆ SBC Form Factor	Half-size, slot CPU cards
◆ Drive Bays	1 x 2.5" HDD
◆ I/O Ports	2 x USB
◆ I/O Openings	1 x LPT, 1 x COM
◆ Expansion Slots	3 slots
◆ Indicators	Power, HDD
◆ Buttons	Power switch, reset
◆ Operating Temperature	0°C ~ 50°C
◆ Operation Humidity	10% ~ 90%
◆ Color	W: White
◆ Weight (Net/Gross)	2 kg/3.8 kg
◆ Dimensions (DxWxH)	218 mm x 95 mm x 200 mm

Dimensions (measurement units: millimeter)



Backplane Options

Model No.	SBC Type	PCI	ISA	PCIe			PSU Connector
				x1	x4	x16	
BP-3S-RS	ISA	0	3	0	0	0	AT
IP-3S-RS	PCISA	2	0	0	0	0	AT
IP-3SA-RS	PCISA	2	0	0	0	0	ATX

Ordering Information

Part No.	Description
PAC-53GHW-R11/916AP/IP-3S	3-slot half-size chassis, with ACE-916AP-RS and IP-3S-RS-R40, RoHS
PAC-53GHW-R11/916AP/BP-3S	3-slot half-size chassis, with ACE-916AP-RS and BP-3S-RS-R40, RoHS
PAC-53GHW-R11/A618A	3-slot half-size compact chassis, white, with ACE-A618A-RS-R11 (180W ATX model), RoHS

Power Supply Options

Type	Model No.	Watt
AT	ACE-916AP-RS	150W
ATX	ACE-A618A-RS-R11	180W
	ACE-4520C-RS	200W

PAC-53GH supports single 1U height PSU.