

# RM42300

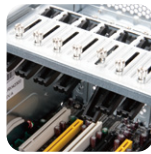
## 4U 17.5" Compact Industrial Server Chassis



Optional front door with filter



Anti-vibration drive cage design



Tool-less adjustable card retainers for full height or low profile cards



Easy-assembly front 120mm fan with filter



Easy-assembly internal drive cage for 4 x 3.5" HDDs



2 x rear 80mm fans

Rear View



Inside View



Front View



1- door bezel



w/o bezel (RM42300-C)

### Features & Benefits

- Support ATX M/B up to 12" x 10.5"
- Available for rackmount and stand-alone installation
- Rotatable 5.25" drive cage to keep device in horizontal position
- Dedicated 80 mm fan for HDD cooling
- Truly isolated anti-vibration design on internal HDD and drive cages
- Card retainer to hold low profile and full height add-on cards
- Front 120mm fan with filter for add-on cards (option)
- Second 3 x 5.25" drive cage for maximum configuration flexibility (option)
- Support stand-alone installation via optional kit
- Support 1-door or 2-door front bezel configuration
- Support PS/2 single or mini-redundant PSU

### Specification

<b>Model Name</b>	• RM42300
<b>M/B Form Factor</b>	• ATX (12" x 9.6")
<b>Dimension (D x W x H)</b>	• 445 x 430 x 176 (mm), 17.5" x 16.9" x 6.9"
<b>Drive Bay</b>	• Exposed: 3 x 5.25", 1 x 3.5" • Internal: 3 x 3.5"
<b>PSU Form Factor</b>	• PS/2 Single or Mini-redundant
<b>Indicator</b>	• 1 x Power Status, 1 x HDD Activity, 2 x LAN Activity
<b>Front Control</b>	• Power On/Off, System Reset, 2 x USB 2.0
<b>System Security</b>	• Intrusion Switch, Key lock on front door
<b>Cooling Fan</b>	• Front: 1 x 120mm (T=25mm), PWM • Rear: 2x80mm (Option)
<b>Slot Opening</b>	• 7 or 15 x Full Height
<b>HDD Backplane</b>	• N/A
<b>Metal Thickness</b>	• 1.2mm
<b>Net Weight</b>	• 9.5kg
<b>Gross Weight</b>	• 12.3kg
<b>Front Bezel</b>	• Option
<b>Cubic Feet</b>	• 3.41
<b>Container Info</b> (Single Packing)	• 20": 280, 40": 582, 40H: 664

### Optional Items

	Order Code	Description
<b>Storage Kits</b>	◆ Note1.	2.5" or 3.5" HDD storage kits
<b>Cable</b>	84H341310-012	3.5" Bracket with 2-port USB3.0 cable
<b>Slide Rail</b>	84H342310-001	20", Ball Bearing
<b>Drive Cage</b>	84H342310-003	3x5.25" + 1x3.5" Bays
	84H342910-012	2x5.25" + 2x3.5" Bays
<b>Bezel</b>	84H341310-004	One-Door Type
	84H341310-005	Two-Door Type
	◆ Note1. SK41203 / SK51102 / SK51201 / SK32303 / SK33502 / SK33503 / SK31101 / SK41101 / SK41202	

※ PSU ※ M/B Support ※ I/O Gasket ※ Air Duct ※ (Please refer above of information from CHENBRO web)



**84H342310-003**  
5.25" HDD Cage, 9PCS/CTN



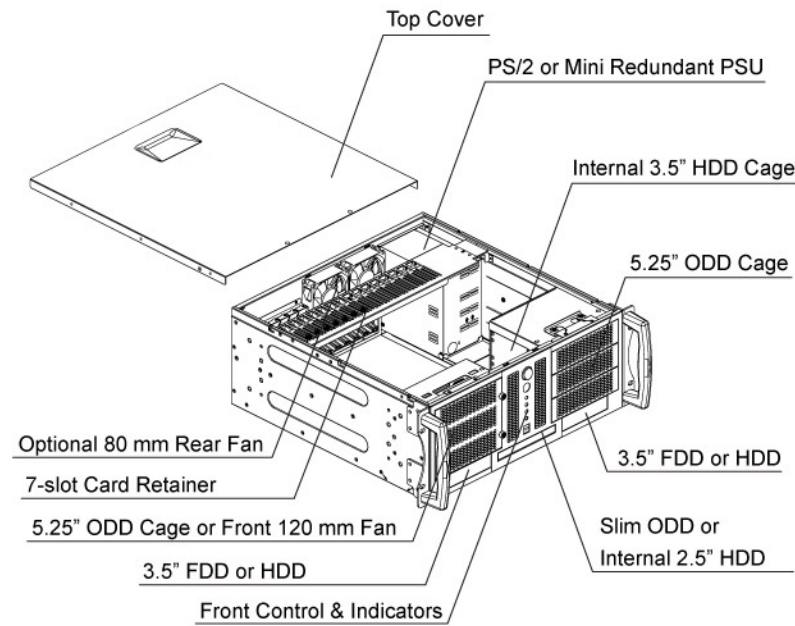
**84H342910-012**  
5.25" HDD Cage, 9PCS/CTN

### Order Information

Order Code	M/B	Backplane	Cooling Fan(mm)	PCI Slot	PSU	Bezel	Slide Rail
RM42300-C	12"x9.6"	N/A	Option	7 x FH	Option	w/o bezel	Option
RM42300-F2	12"x9.6"	N/A	1x12025	7 x FH	Option	2-door	Option

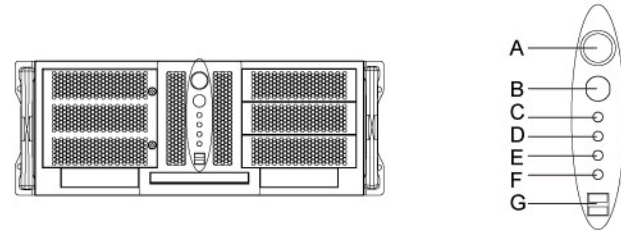
# Chassis Quick Reference

## Major Components



## Front Controls & Indicators

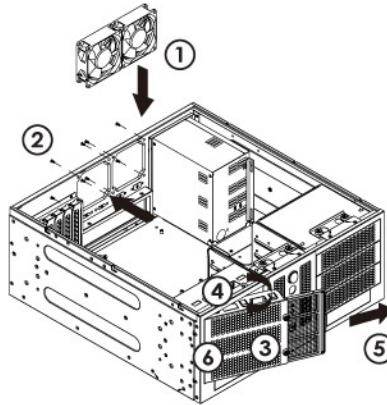
- |                        |             |              |
|------------------------|-------------|--------------|
| A: Power On/Off Switch | D: HDD LED  | G: USB Ports |
| B: System Reset Button | E: LAN1 LED |              |
| C: Power LED           | F: LAN2 LED |              |



## Front 120 mm & Rear 80 mm Fan Assembly

### Rear 80 mm Fan

- Align 80 mm fan to rear window
- Tighten 8 screws to fix one fan & finger guard

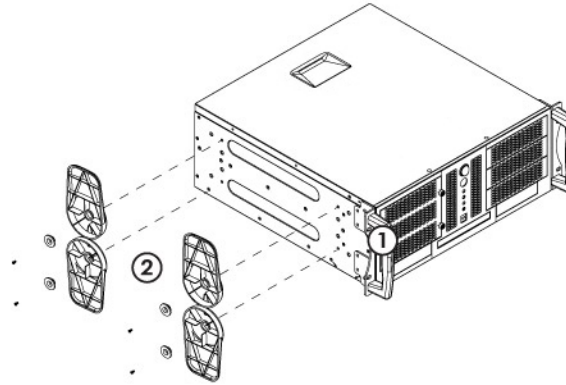


### Front 120 mm Fan & Filter

- Loose 2 thumb screws
- Open the fan bracket
- Pull out the filter for maintenance
- Pull out the fan bracket & loose 4 screws to remove 120 mm fan

## Pedestal Foot-stand Assembly

- Loose 6 screws on each handle rack ear for removal
- Align the foot stands on chassis & tighten with screws



## Internal 3.5" HDD & 80x25 mm Fan Assembly

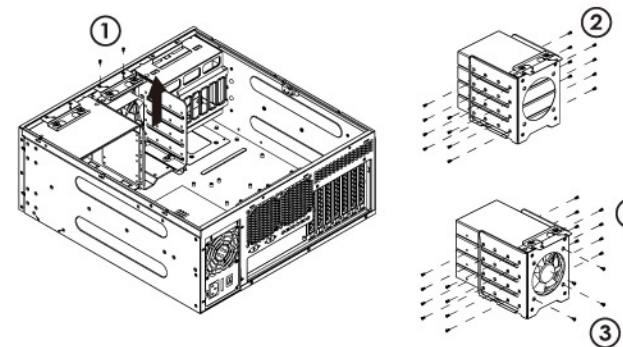
- Loose 2 screws & pull out the cage

### Installing HDDs

- Tighten 4 screws to fix one 3.5" HDD on cage

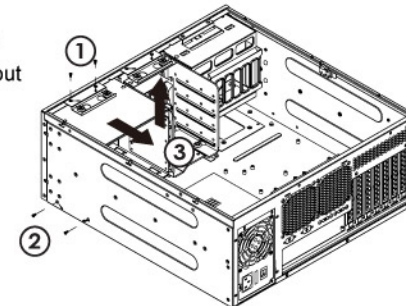
### Installing 80x25 mm Fan & HDDs

- Tighten 4 screws to fix 80x25 mm fan & finger guard
- Tighten 4 screws to fix one 3.5" HDD on cage



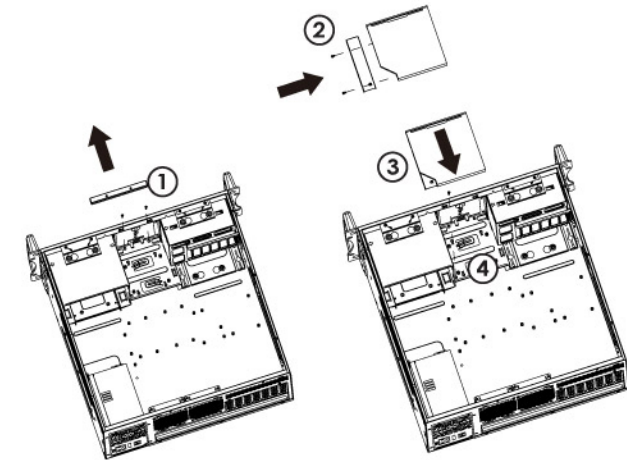
## 5.25" Drive Cage Assembly

- Loose 2 screws on top of cage
- Loose 2 screws on side of chassis
- Move the cage backward & pull it out



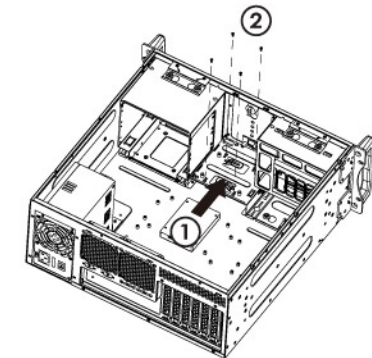
## Install Slim ODD

- Loose 2 screws & remove the slim ODD blank cover
- Tighten 2 screws to fix the slim ODD bracket
- Insert the slim ODD
- Tighten 1 screw to fix slim ODD



## Install Internal 2.5" SAS / SATA-II HDD

- Insert 2.5" HDD into slim ODD cage
- Tighten 4 screws to fix 2.5" HDD



## Front Door Assembly

- Loose 12 handle rack ear screws to remove handles & fix it on door with 4 door screws
- Tighten 8 original handle screws to fix door on chassis

