

RM42200

4U Feature-advanced Industrial Server Chassis



Rotatable cage for ODD or storage kits



Elegant key lock



2 x 3.5" bays for FDD or SK51201



Stand-alone installation via optional kit



Easy-swap 1 x front 120mm fan with filter



Tool-less adjustable card retainer for full height or low profile cards

Rear View



Inside View



Front View



Features & Benefits

- Support ATX M/B up to 12" x 10.5"
- Optional 15-Slot rear window for industry backplane
- Available for rackmount and stand-alone installation
- Rotatable 5.25" cage to keep device in horizontal position
- Front 120mm fan with filter for add-on cards
- Card retainer to hold low profile and full height add-on cards
- User friendly design on front key lock and lifting handle (stand-alone)
- Support PS/2 single or mini-redundant PSU

Specification

Model Name	• RM42200
M/B Form Factor	• ATX (12"x10.5")
Dimension (D x W x H)	• 522 x 430 x 176 (mm), 20.5" x 16.9" x 6.9"
Drive Bay	• Exposed: 3 x 5.25", 2 x 3.5"; Internal: 3 x 3.5"
PSU Form Factor	• PS/2 Single or Mini-redundant
Indicator	• 1 x Power Status, 1 x HDD Activity, 2 x LAN Activity
Front Control	• Power On/Off, System Reset, 2 x USB 2.0
System Security	• Intrusion Switch, Key lock on front door
Cooling Fan	• Front: 1 x 120mm (T=25mm), PWM • Rear: 2 x 80mm (Option)
Slot Opening	• 7 or 15 x Full Height
HDD Backplane	• N/A
Metal Thickness	• 1.2mm
Net Weight	• 13.4kg
Gross Weight	• 16.1kg
Front Bezel	• Option
Cubic Feet	• 4.51
Container Info. <small>(Single Packing)</small>	• 20": 202, 40": 413, 40"H: 476

Optional Items

	Order Code	Description
Storage Kits	◆ Note1.	2.5" or 3.5" HDD storage kits
Cable	84H341310-012	3.5" Bracket with 2-port USB3.0 cable
Slide Rail	84H341300-001	22", Ball Bearing
	84H342310-001	20", Ball Bearing
Bracket	84H342210-026	Slim ODD Kit w/SATA to SATA adapter
	84H342210-011	Rear window, 15-slot
	◆ Note1. SK41203 /SK51102/SK51201 / SK32303 /SK33502/SK33503 SK31101 / SK41101 /SK41202	

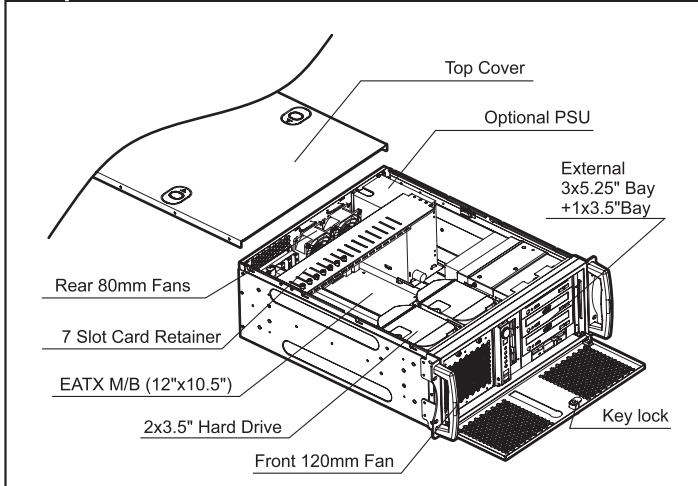
※ PSU ※ M/B Support ※ I/O Gasket ※ Air Duct ※ (Please refer above of information from CHENBRO web)

Order Information

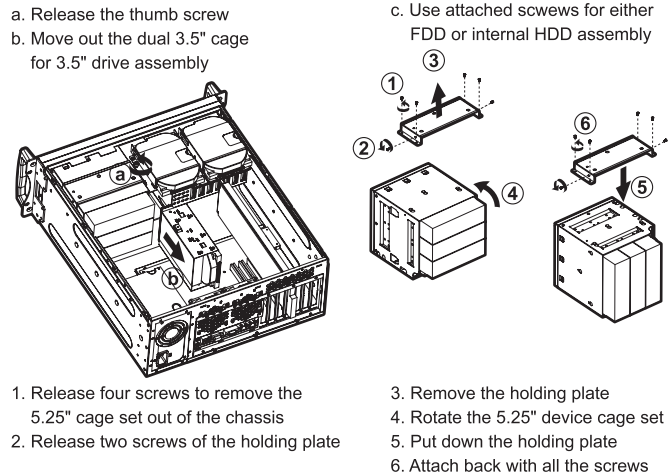
Order Code	M/B	Backplane	Cooling Fan(mm)	PCI Slot	PSU	Bezel	Slide Rail
RM42200-F1	12"x10.5"	N/A	1x12025	7 x FH	Option	1-door	Option

Chassis Quick Reference

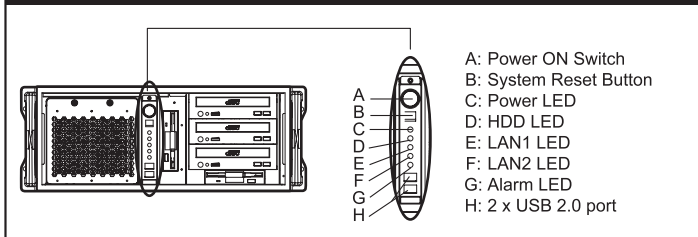
Major Components



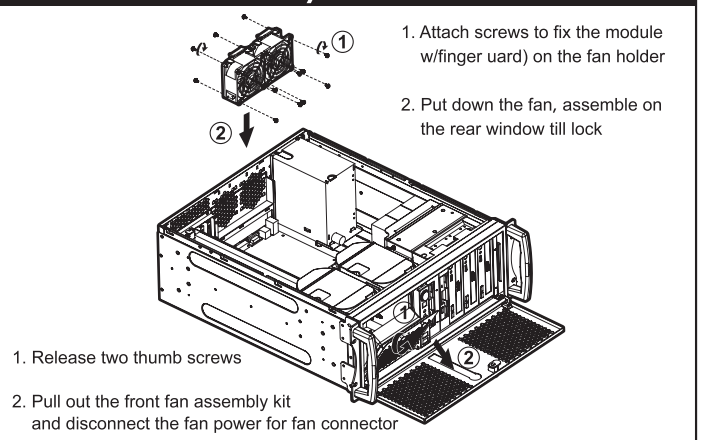
External 5.25" HDD Cage Assembly



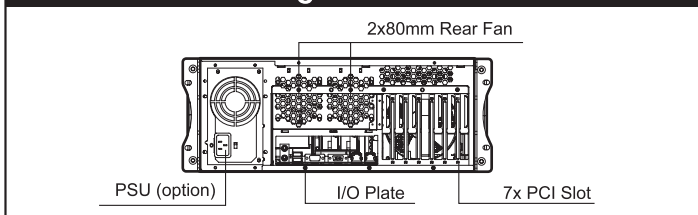
Front Panel Controls and Indicators



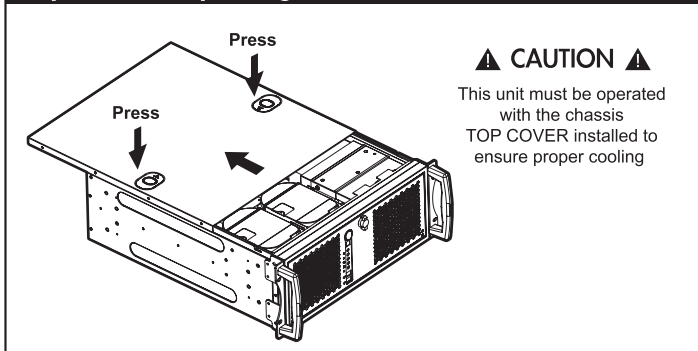
Fan Module Assembly



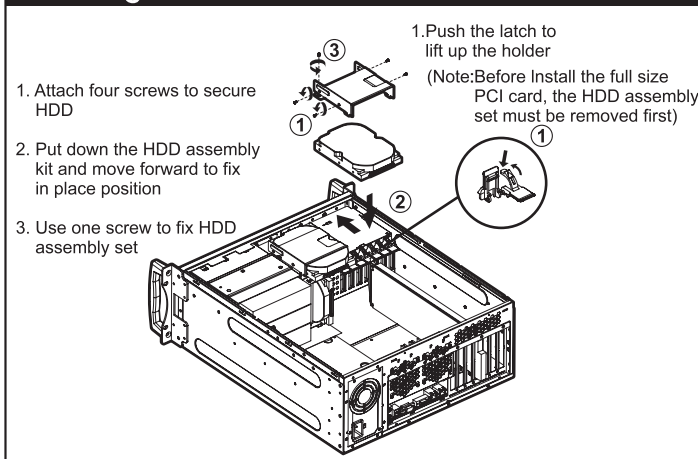
Rear Window Configuration



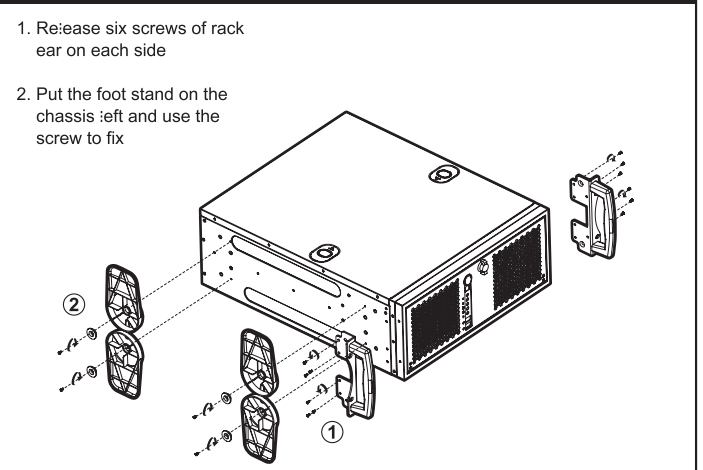
Top Cover Opening



Installing Hard Drive



Pedestal Foot-stand Installation



Pedestal Top handle Installation

