

## Industrial Monitor HI-19

The Versatile 19" Color TFT Monitor



### Features

- Coated, antiglare Security Glas Panel
- Excellent Brightness & Contrast
- 4 industrial Inputs :  
VGA, DVI, S-Video, Video Composite
- VESA- Holder
- 19" Rack ( R ) – or Panel-Mounting ( P )
- Full Metall Sheet Chassis for optimal electrical and thermal protection

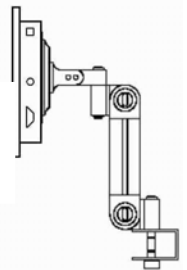
Model NO.	HI-19	
Viewing Area	19"	
Touch Panel		Option
Resolution	1280 x 1024	SXGA
Eff. Display Area	367,3 x 301,1	mm
Colors	16 Mio	
Response Time	15/10 ms	
Contrast Ratio	700 : 1	
Brightness	300 cd/qm	
Viewing Angle	H 170 x V170	
Input Signal	Analog VGA /	DVI / S-Video Comp. Video
Input Connector	D-sub 15pin /	DVI /Cinch
Scan Frequency	H:30- 80 KHz	V: 50-75Hz
Power Mgmt	VESA DPMS	Standard
Consumption	50W @12VDC	Opt. Extern. 12 V Adapt.
Dimensions (mm)	See Drawing	
Op. Temperature	0-50 Degr. C	
Weight	6 KG	
Standard	IP-65 (Front)	(Optional)

### Optional Accessories

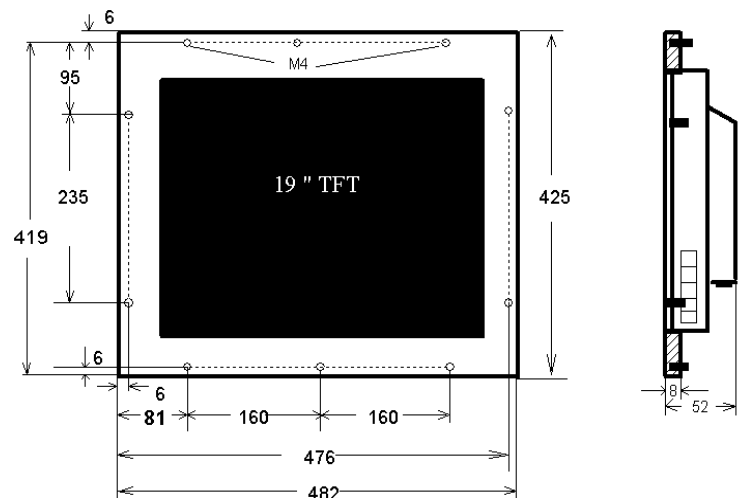


Holder for Mini-IPC  
Back-Site Mounting

Swingarm



### 19" TFT Panel-Mounting



### 19" TFT Rackmounting (19"-Mounting)

