

## Industrial Monitor HI-17T

The Versatile 17" Color Touchscreen Monitor



### Features

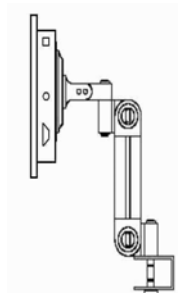
- Excellent Brightness & Contrast
- 4 industrial Inputs :  
VGA, DVI, S-Video, Video Composite
- 5-Wire resistive Touchscreen (RS/232 or USB)
- Capacitive Touchscreen (optional)
- VESA- Holder
- Rack (R) or Panel Mounting (P)
- Full Metall Sheet Chassis for optimal electrical and thermal protection

Model NO.	HI-17T	
Viewing Area	17"	
Touch Panel	E-Turbo	Resistive -5 wire
Resolution	1280 x 1024	SXGA
Eff. Display Area	337,9 x 270,3 mm	
Colors	16,7 Mio	
Response Time	8 ms GTG	
Contrast Ratio	450 : 1	
Brightness	270 cd/qm	
Viewing Angle	H 150 x V150	
Input Signal	Analog VGA	DVI, Video Comp. S-Video
Input Connector	D-sub 15pin	DVI, Cinch
Scan Frequency	H:30-60 KHz	V: 50-75Hz
Power Mgmt	VESA DPMS	Standard
Consumption	48W @12VDC	Opt. Extern. 12 V Adapt.
Dimensions (mm)	See Drawing	
Op. Temperature	0-50 Degr. C	
Weight	6,8 KG	
Standard	IP-65 (Front)	(Optional)

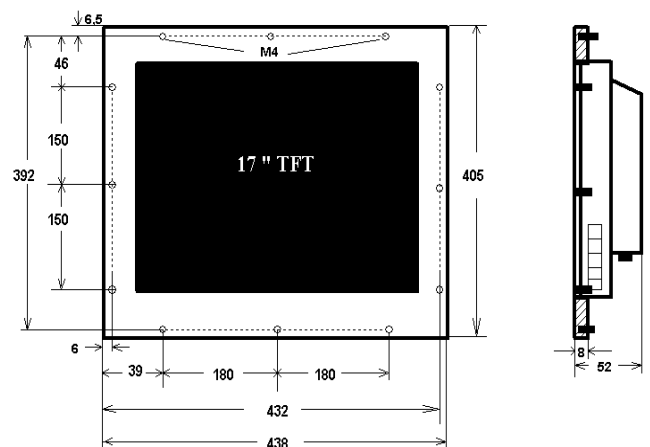
### Optional Accessories



Holder for Mini-IPC  
Back-Site Mounting



### 17,1" Panelmounting



### 17,1" Rackmounting (19")

