



## SLD2126\_V2

### 21.5" Wide TFT LCD, LED Backlight 1600nits,FHD (1920x1080)

21.5" wide is a full high definition (FHD) LCD panel, built-in 1600 nits high bright for sunlight readable LCD display, high transmittance color filter, high transmission polarizing plates, Low Power Consumption, suitable for kiosk, advertising, POS, marine, transportation, gaming, studio display, gas pump.

#### Key Features

- Sunlight Readable
- LED Backlight
- Wide Viewing Angle
- High Shock & Vibration Resistance
- FHD High Resolution
- High Uniformity
- Low EMI Noise
- Wide Dimming
- Life Expectancy



### Specifications

V2

<b>Model No.</b>	SLD2126_V2
<b>Description</b>	21.5" Wide TFT LCD, LED Backlight 1600 nits, FHD
<b>Display Area (mm)</b>	476.64 (H) x 268.11(V)
<b>Brightness</b>	1,600 cd/m <sup>2</sup>
<b>Resolution</b>	1920 x 1080 (FHD)
<b>Contrast Ratio</b>	3700 : 1
<b>Pixel Pitch (mm)</b>	0.24825(H) x 0.24825(V)
<b>Viewing Angle</b>	178°(H), 178°(V)
<b>Display Colors</b>	16.7M colors
<b>Response Time (Typical)</b>	25 ms
<b>Sync</b>	LVDS
<b>Power Consumption</b>	55W
<b>Dimensions (mm)</b>	545(W) x 370(H) x 61(D)mm
<b>Weight (Net)</b>	6.12 Kg
<b>LED Driving Board</b>	LID21
<b>Control Board (Optional)</b>	<input type="checkbox"/> AD2662GD <input type="checkbox"/> AD2662GDVAR
<input type="checkbox"/> AD2662GD	VGA+DVI
<input type="checkbox"/> AD2662GDVAR	VGA+DVI (Optional S-Video/ Component / Audio / RS232)
<b>F / R Control Button</b>	<input type="checkbox"/> 5 Key
<input type="checkbox"/> 5 Key	Power Switch, Menu, Select (+,-), Auto
<b>OSD Menu</b>	Brightness, Contrast, H/V Position, Color, Phase, Clock...
<b>Optional</b>	<input type="checkbox"/> AOT <input type="checkbox"/> Touch Screen

Specifications are subject to change without notice.

All brands or product names are trademarks or registered trademarks of their respective companies.

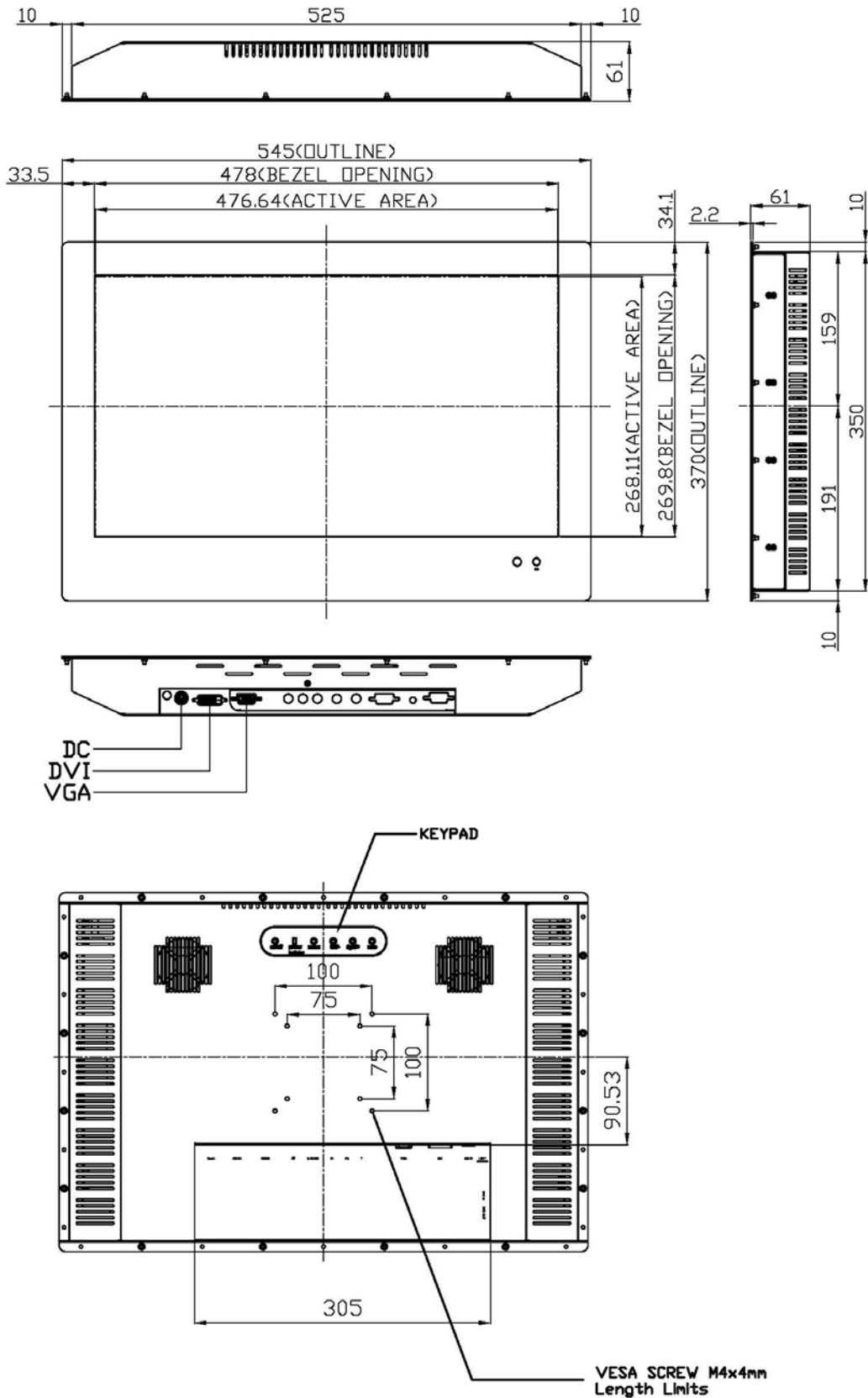
SLD= Panel + LED Driving Board + Control Board + Housing

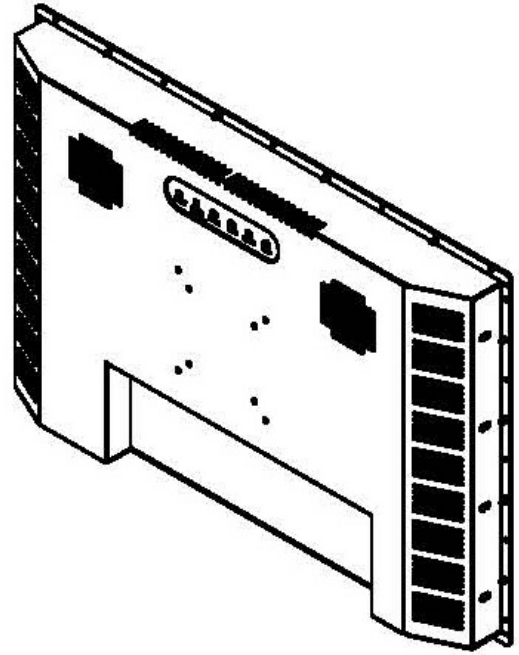
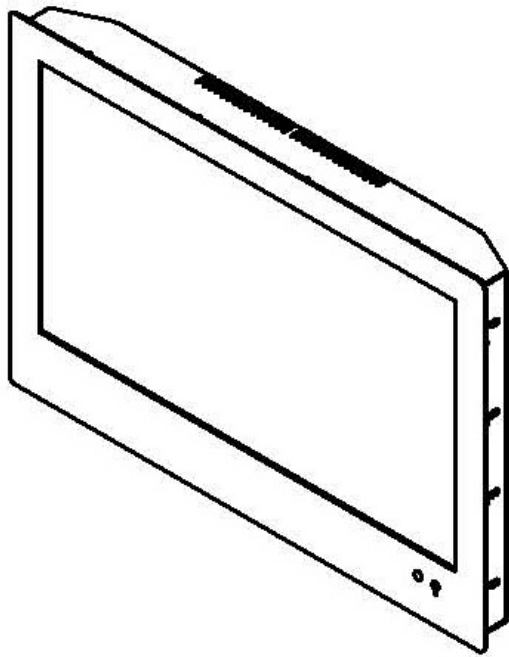


## Mechanical Drawing

### Outline Dimensions

Unit:mm





### Ordering Information

Model Name	Description
SLD2126-ENB-G11	21.5",1600nits,FHD,LID21A08,AD2662GD,5key,O/B,DC12V,V2

### Optional Accessories

Part Number	Description
840612051210	ADAPTER,AC/DC,12V/5.4A,65W,Atech OEM A065112-TDx.4P SLIDING CAP,P
810618301010	CABLE.POWER.AC.1830mm USA type
810618301090	CABLE,POWER,AC,1830mm Europe type
810618301050	CABLE.POWER.AC.1830mm UK type
810618301170	CABLE.POWER,AC,1830mm Australia type
810618301030	CABLE.POWER.AC.1830mm Japan type