


HB-19 SLD1968 V1
19" TFT LCD Display, LED Backlight, 1600nits, SXGA(1280x1024)

19" TFT LCD panel, built-in 1600 nits high bright for sunlight readable LCD display, high transmittance color filter, high transmission polarizing plates, Low Power Consumption, suitable for kiosk, advertising, POS, marline, transportation, gaming, studio display, gas pump.

Key Features

- Sunlight Readable
- LED Backlight
- SXGA(1280x1024) High Definition
- High Shock & Vibration Resistance
- Smart Panel design.
- High Uniformity
- Low EMI Noise
- Wide Dimming
- Life Expectancy


Specifications

Ver3

| | |
|--|---|
| Model No. | SLD1968 V1 |
| Description | 19" TFT LCD Display, LED Backlight, 1600nits, SXGA(1280x1024) |
| Display Area (mm) | 376.3(H) x 301 mm |
| Brightness | 1600 cd/m ² |
| Resolution | 1280x1024 (SXGA) |
| Contrast Ratio | 1000 : 1 |
| Pixel Pitch (mm) | 0.294(H) x 0.294(V) |
| Viewing Angle | +85°~ -85°(H), +80°~ -80°(V) |
| Display Colors | 16.7M |
| Response Time (Typical) | 5ms |
| Sync | LVDS |
| Power Consumption | 31W |
| Dimensions (mm) | 396x326x35.9mm |
| Weight (Net) | 2.7kg |
| LED Driving Board | LID19A09 |
| Control Board (Optional) | <input type="checkbox"/> AD5621GA <input type="checkbox"/> AD5621GD <input type="checkbox"/> AD2662GDVAR <input type="checkbox"/> AD2662GDHMVAR |
| <input type="checkbox"/> AD6038GA | VGA+Audio |
| <input type="checkbox"/> AD6038GD | VGA+DVI |
| <input type="checkbox"/> AD2662GDVAR | VGA+DVI (Optional S-Video/ Component / Audio) |
| <input type="checkbox"/> AD2662GDHMVAR | VGA (Optional DVI-D / HDMI / S-Video/ Component / Audio) |
| F / R Control Button | <input type="checkbox"/> 5 Key <input type="checkbox"/> 4 Key |
| <input type="checkbox"/> 5 Key | Power Switch, Menu, Select (+,-), Auto |
| <input type="checkbox"/> 4 Key | Power Switch, Menu, Select (+,-), |
| OSD Menu | Brightness, Contrast, H/V Position, Color, Phase, Clock... |
| Optional | <input type="checkbox"/> AOT <input type="checkbox"/> Touch Screen |

Specifications are subject to change without notice.

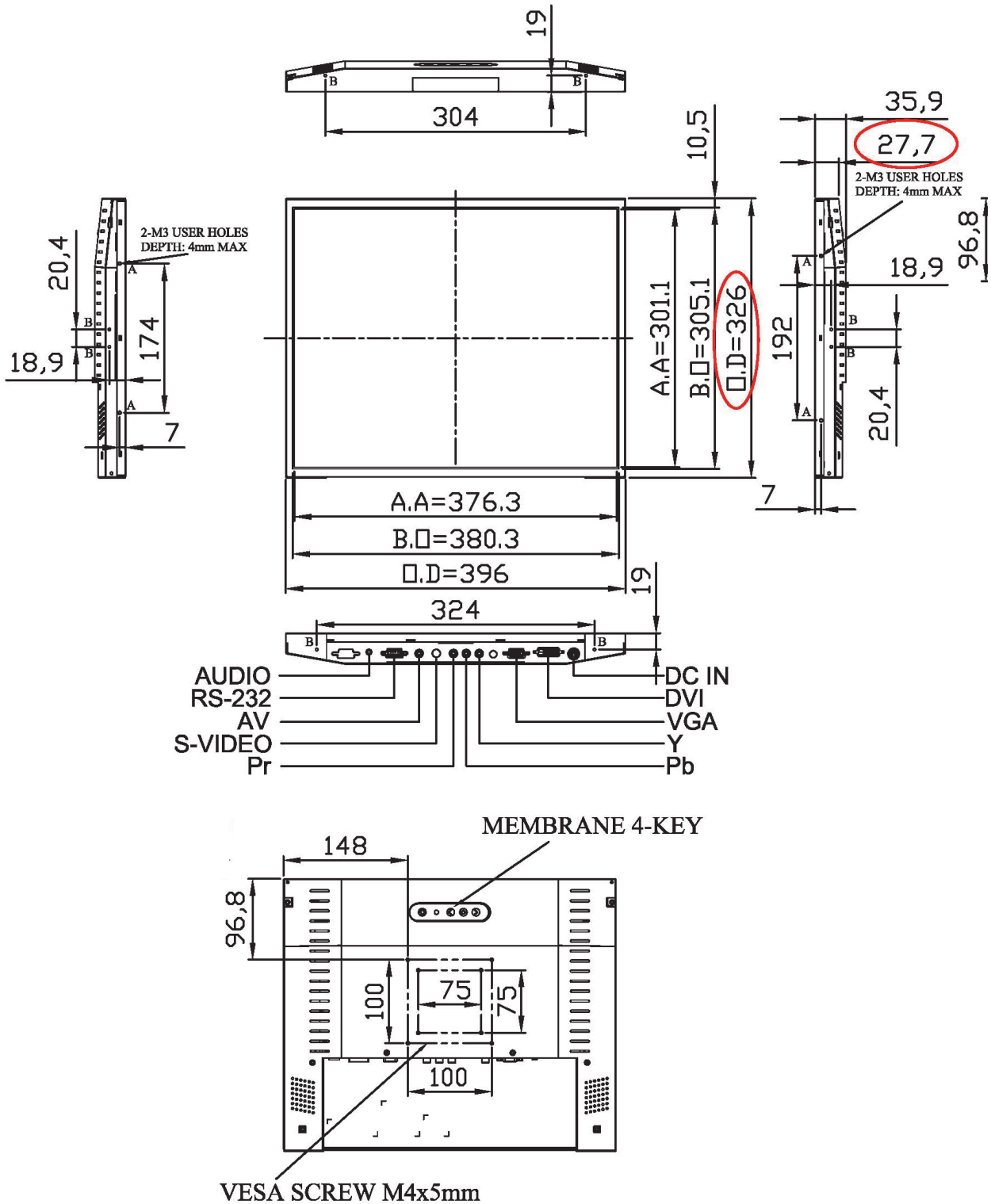
All brands or product names are trademarks or registered trademarks of their respective companies.

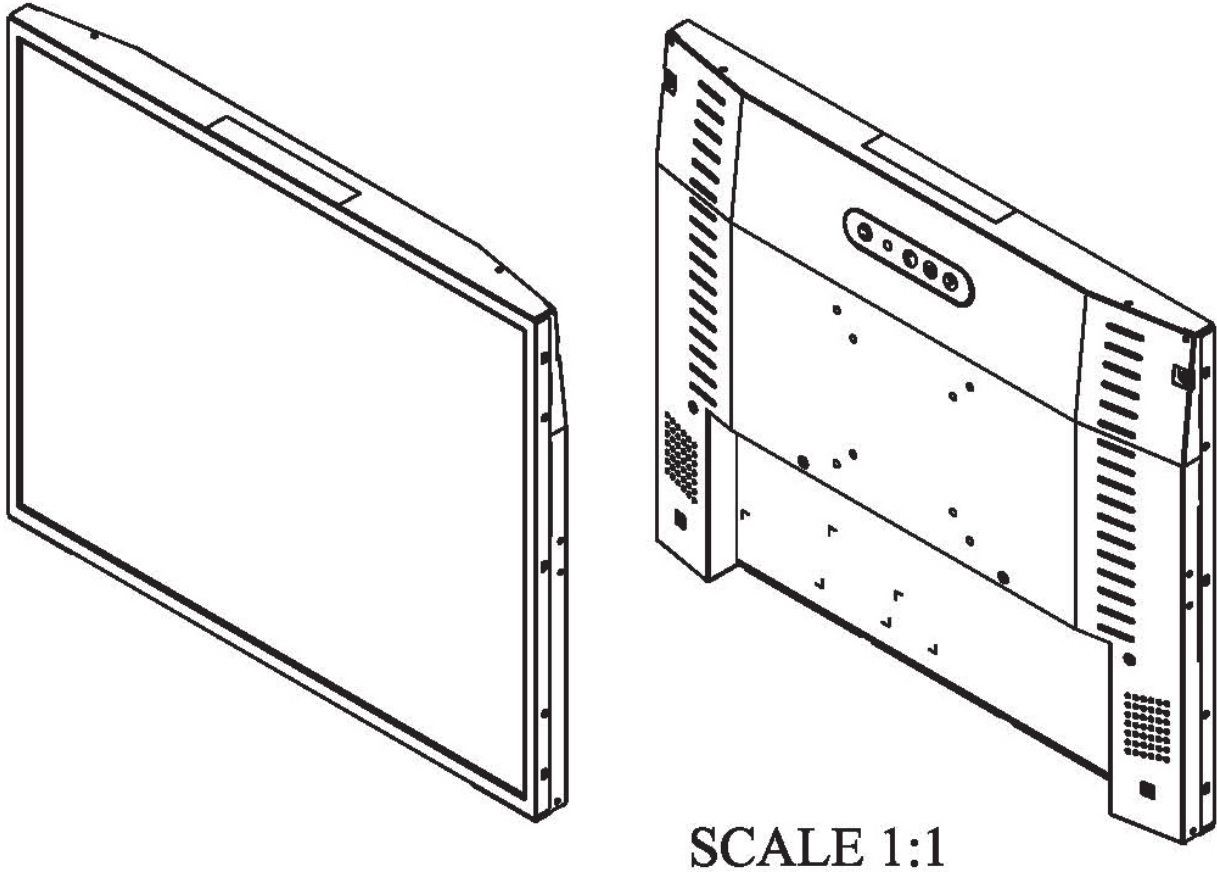


Mechanical Drawing

Outline Dimensions

Unit: mm





Ordering Information

| Part Number | Description |
|-----------------|---|
| SLD1968-ENB-G11 | 19",1600nits,SXGA,LID19A09,AD2662GD,O/B,V02(2 in 1) |
| | |
| | |

Optional Accessories

| Part Number | Description |
|--------------|---|
| 840612051210 | ADAPTER,AC/DC,12V/5.4A,65W,Atech OEM A065112-TDx.4P,P |
| 810618301010 | CABLE.POWER.AC.1830mm USA type |
| 810618301090 | CABLE,POWER,AC,1830mm Europe type |
| 810618301050 | CABLE.POWER.AC.1830mm UK type |
| 810618301170 | CABLE.POWER,AC,1830mm Australia type |
| 810618301030 | CABLE.POWER.AC.1830mm Japan type |
| | |
| | |