



SSD3840

38" Resizing LCD, 2000 nits LED Ultra High Brightness, 1920x502 ultra wide aspect ratio 16:4.2

SSD3840 is an innovative ultra-wide, sunlight readable, Ultra High Brightness LED backlight LCD display. It provides LCD panel with specific ratios for digital signage, public transportation, exhibition hall, department store, vending machine and industrial applications. Incorporating with A.D. control board and backlight design, it is high brightness and sunlight readable panel, can display high-quality video with energy-efficient.

Key Features

- Resizing LCD
- Ultra Wide Screen (16 : 4.2)
- Sunlight Readable
- LED Backlight
- Ultra High Brightness 2000 nits
- Low Power Consumption
- Wide Dimming
- Slim Bezel



Specifications

V1

Model No.	SSD3840
Description	38" Resizing LCD, 2000 nits LED Ultra High Brightness, 1920x502
Display Area	930.2 x 243.2 mm
Brightness	2,000 cd/m ²
Resolution	1920 x 502
Aspect Ratio	16 : 4.2
Contrast Ratio	5600:1
Pixel Pitch (mm)	0.4845 x 0.4845
Pixel Pre Inch (PPI)	52
Viewing Angle	176°(H), 176°(V)
Display Colors	16.7M
Response Time (Typical)	6.5 ms
Sync	LVDS
Power Consumption	130W
Dimensions (mm)	967.6 x 279.4 x 61.3
Weight (Net)	9.5Kg
LED Driving Board	LID38
Control Board (Optional)	AD2662GD / AD2662GDVAR / AD2662GDHMVAR
<input type="checkbox"/> AD2662GD	VGA + DVI
<input type="checkbox"/> AD2662GDVAR	VGA + DVI (Optional AV/ S-Video / Component / Audio)
<input type="checkbox"/> AD2662GDHMVAR	VGA + DVI + HDMI (Optional AV/ S-Video / Component / Audio)
<input type="checkbox"/> Others	
F / R Control Button	5 Key / 4 Key
<input type="checkbox"/> 4 Key	Power Switch, Menu, Select (+,-),
<input type="checkbox"/> 5 Key	Power Switch, Menu, Select (+,-),Auto
OSD Menu	Brightness, Contrast, H/V Position, Color, Phase, Clock...
Optional	<input type="checkbox"/> Touch Screen

Specifications are subject to change without notice.

All brands or product names are trademarks or registered trademarks of their respective companies.

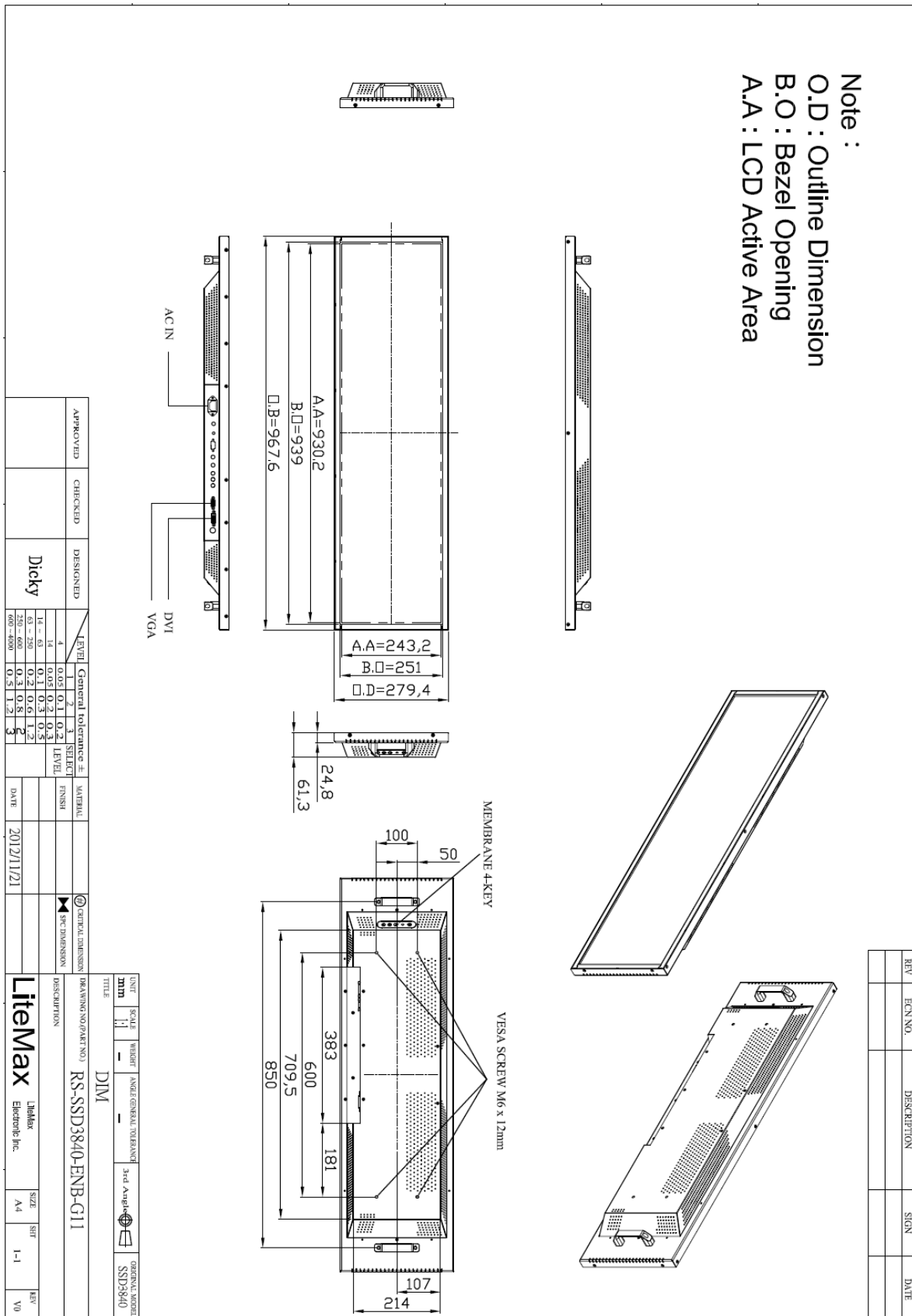
SSD= Panel+ LED Driving Board + Control Board



Mechanical Drawing

Outline Dimensions

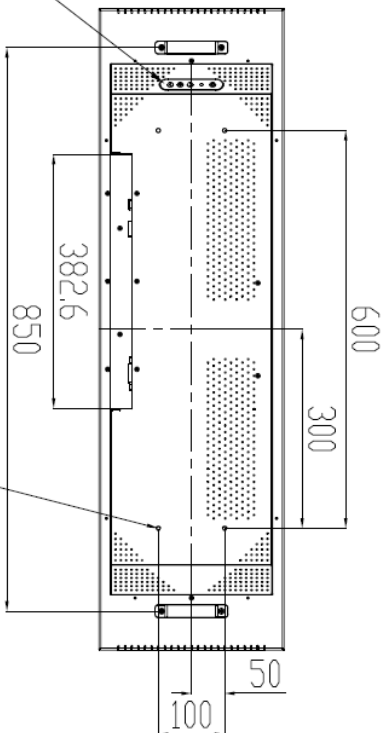
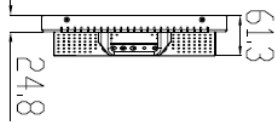
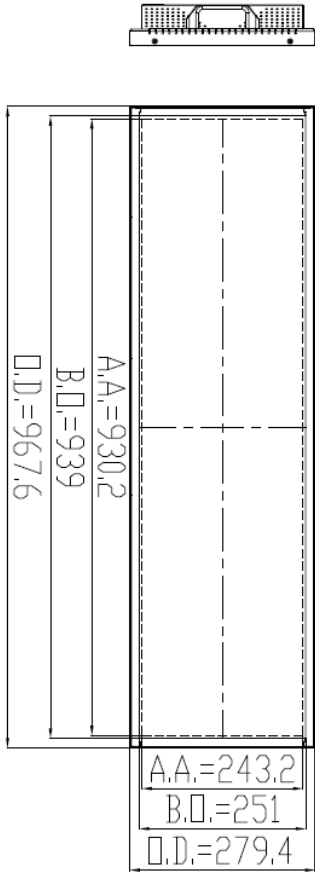
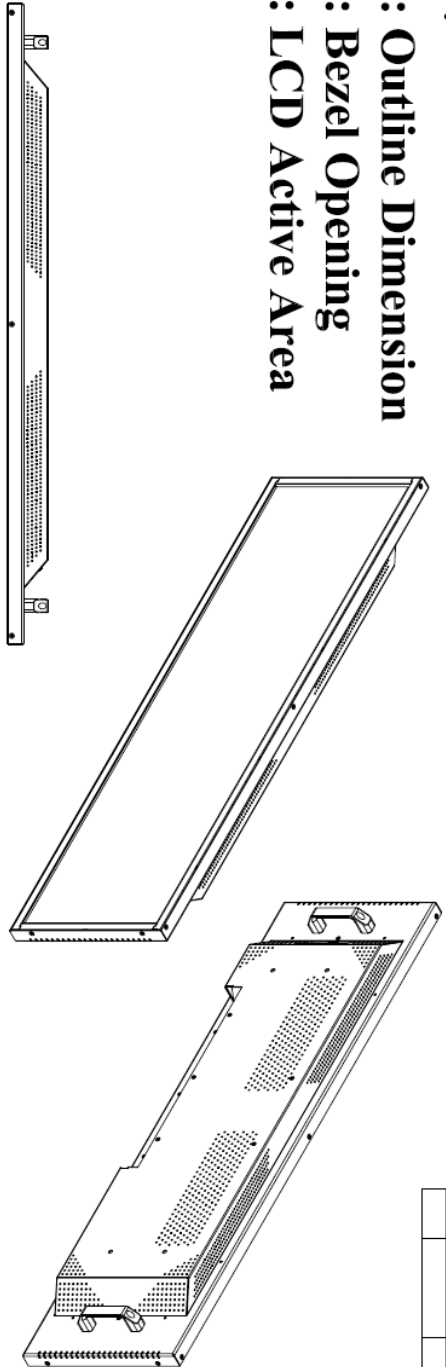
Unit: mm





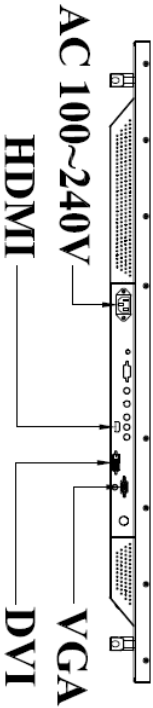
Note :

- O.D. : Outline Dimension**
- B.O. : Bezel Opening**
- A.A. : LCD Active Area**



MEMBRANE 4-KEY

4-M6 SCREW
Max Depth = 12 mm



APPROVED	CHECKED	DESIGNED	LEVEL	General tolerance	±	SELECT	MATERIAL	FINISH	DATE
		Jerry_Zhong	1	0.05	0.1	1			2013/03/29
			2	0.05	0.1	2			
			3	0.05	0.1	3			
			4	0.05	0.1	4			
			5	0.05	0.1	5			
			6	0.05	0.1	6			
			7	0.05	0.1	7			
			8	0.05	0.1	8			

REV	ECN NO	DESCRIPTION	SIGN	DATE
A/A		Design Drawing	Jerry_Zhong	2013/03/29

UNIT	SCALE	WEIGHT	ANGLE	GENERAL TOLERANCE	3rd ANGLE	DRAWING CODE
mm	1:1					RS-SSD3840
TITLE	DIM					
DRAWING NO/PART NO	RS-SSD3840-ENB-G12					
DESCRIPTION	38" 2000nits.1920*502.1ID38.AD266XGIDHM(O/B)AC100-240V input.2 in 1.V2					
DATE	SIZE	SHR	REV			
2013/03/29	A4	1-1	X1			



Ordering Information

Model Name	Description
SSD3840-ENB-G11	38",2000nits,1920*502,LID38,AD2662GD,O/B,AC100~240V input,2 in 1,V2
SSD3840-ENB-G12	38",2000nits,1920*502,LID38,AD2662GDHM,O/B,AC100~240V input,2 in 1,V2

Optional Accessories

Part Number	Description
810618301010 (Optional)	CABLE.POWER.AC.1830mm.(US Type).3PIN PLUG TO SOCKET.SVT(SPT-2)18AWG 3C BLACK,P.
810618301090 (Optional)	CABLE,POWER,AC,1830mm.(EU Type) 3PIN PLUG TO.SOCKET,H05VV-F 3G.0.75MMSQ BLACK,P
810618301050 (Optional)	CABLE,POWER,AC,1830mm.UK(FUSE) 3PIN PLUG TO.SOCKET,H05VV-F 3C(3G) 0.75MMSQ BLACK,P
810618301170 (Optional)	CABLE.POWER,AC,1830mm.(AU Type) 3PIN PLUG TO 2P SOCKET.LTSA 0.75MMSQ BLACK,P
810618301030 (Optional)	CABLE.POWER.AC.1830mm.(JP Type).2PIN PLUG Y TERMINAL TO. SOCKET.VCTF 3C 0.75MMSQ BLACK,P