

Fanless Box Computer KMDA Series

KMDA-3601-T001

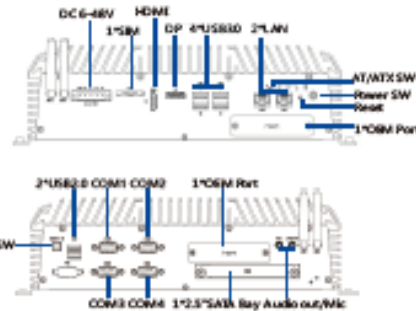
Intel® Skylake-S/Kabylake-S Core I3/I5/I7 CPU, 2*LAN, 4*USB3.0, Dual 4K display, 4*COM, DC-IN 6~48V, 2*OEM Ports.

Key Features

- Large aluminum chassis, fanless design
- Intel® Kabylake-S/Skylake-S Core I3/I5/I7 CPU
- 2*DDR4 2133/2400MHz SODIMM, Up to 32GB
- 1*DP, 1*HDMI, dual 4K display
- 2*LAN, 4*USB3.0, 3*USB2.0, 4*COM
- Audio out and Mic
- 1*Mini PCIe(PCle+ USB), 1*M.2 2242 B-Key
- 1*mSATA, 2*2.5" SATA, support Raid0,1
- 2*OEM Ports, Easy to customize extension
- DC 6~48V Wide Power Input



KMDA-3601-T001 is a high performance Box Computer with aluminum chassis and fanless design. It powered by the Intel® Skylake-S/Kabylake-S CPU and DDR4 2133/2400MHz dual channel memory, up to 32GB. It features gen.9th Intel HD Graphics, DP1.2 and HDMI1.4b dual 4K display, 2*Intel Giga. LAN, 4*USB3.0, 1*Mini PCIe which support 4G LTE/WiFi/BT, 1*M.2 2242 B-Key, 2*2.5" SATA HDD/SSD support Raid0/1 With DC 6-48V wide power input, high performance, multi IO and multi-storage, it is fit for Intelligent Transportation(ITS), CNC and Machine Vision.



SPEC.

System	CPU	Gen. 6th Intel® Skylake-S/gen.7th Intel® Kabylake-S Celeron/Pentium/Core I3/I5/I7 CPU, LGA 1151 socket, suffix T(Te), TDP 35W
	Chipset	Intel® H110
	System Memory	2*260-Pin SODIMM, dual channel DDR4 2133/2400MHz, up to 32GB
	Expansion	1*Full size Mini PCIe(PCle+ USB) with SIM slot, 1*M.2 2242 B-key(SATA3+ USB) 1*Full size mSATA(SATA3+ USB), support 4G LTE and WiFi/BT
	Graphics	Gen. 9th Intel® HD Graphics, HEVC/H265 HW HD en/decoder, DP1.2 max. res. 4096*2304@60Hz, HDMI1.4b max. res. 3840*2160@30Hz, support dual independent display
	Audio	Realtek ALC662VD controller, Audio out and MIC
	LAN	2*Intel I210AT PCIe Giga. Ethernet
	Storage	2*2.5" SATA HDD/SSD bay, cooling by aluminum chassis; 1*mSATA; 1*M.2 2242 B-key
	DIO	Optional 16-bit DIO, Programmable input and output
	I-port	Optional 1*LPT, 16-bit DIO, 1*USB2.0, 1*PS/2 or Mini PCIe, M.2 I/O ports(such as serial ports)
I/O ports	2*RJ45 Gig-LAN (Front) 4*USB3.0 Type A(Front); 2*USB2.0 Type A(Rear), 1*USB2.0 Type A(aside) 2*RS232/422/485 DB9(Rear), 2*RS232 DB9(Rear) 1*Audio-out and 1*MIC, 3.5mm phone jack(Rear) 1*HDMI + 1*DP	
LED	1*Power LED, 1*HDD LED, 3*CPU term. LED (Red is warning, Yellow is high, Green is normal)	
Control SW	1*Power button, 1*Reset button(Front);1*2pin ter. power-on signal(Rear), 1*AT/ATX Select dip(Front)	
Power Supply	DC 6~48V Input, 5-pin ter. (Front), Consumption: TBD	
Watchdog Timer	Watchdog timeout programmable via software 1 to 255 second	
OS Support	Windows 7, Windows 10, Linux Fedora Ubuntu	

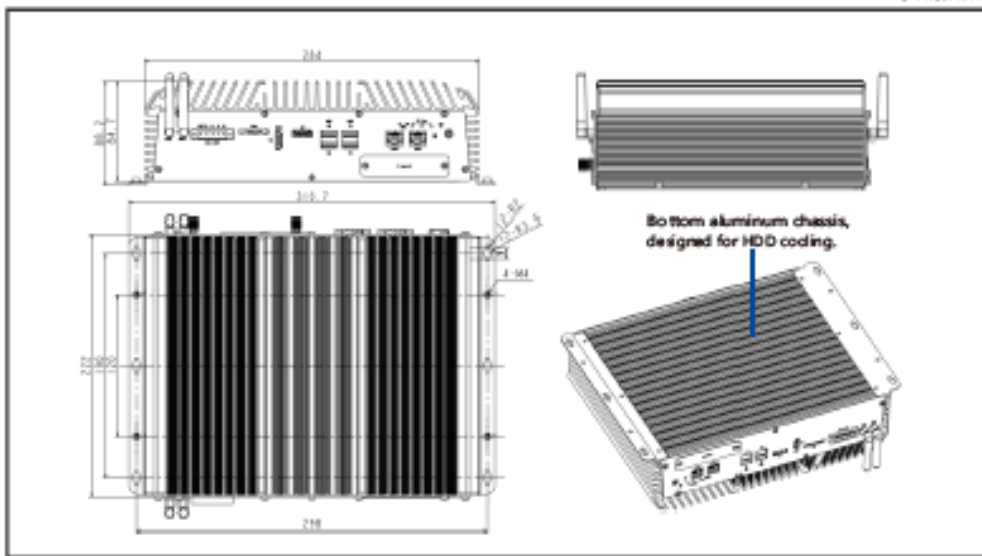
* All specifications and photos are subject to change without notice.



Mechanical	Structure	Large U form aluminum chassis, SGCC frame
	Color	Silver
	Mounting	Desktop Mounting
	Dimension	(W*H*D) : 284*222*84.7mm
	Net weight	4.86kg
Environmental	Operating temperature	-20°C ~ 65°C - Fanless, 35W CPU with wide operating temp. SSD, airflow -10°C ~ 55°C - Fanless, 35W CPU with HDD, airflow
	Storage Temperature	-40°C~85°C
	Storage Humidity	10~90%@40°C, Non-condensing
	Vibration	5 grms/5~500Hz/ random/in working(SSD); 1 grms/5~500Hz/random/in working(HDD)
	Shock	50g peak acceleration(11ms duration)(SSD); 20g peak acceleration(11ms duration)(HDD)
	Certification/EMC	CE/FCC Class A

Dimension

Unit:mm



Ordering Info.

Model No.	Introduction
KMDA-3601/T001	Fanless Box Computer, Intel®H110+SKL/KAL-S LGA1151 CPU, 2*LAN, 4*USB3.0, 3*USB2.0, 4*COM, 1*M.2, 1*Mini PCIe, 2*HDMI, 1*DP, Audio, 2*port, 2*2.5" SATA bay, 1*mSATA, DC 6~48V
PA-120DC19	AC/DC power adapter, DC 19V/6.32A 120W