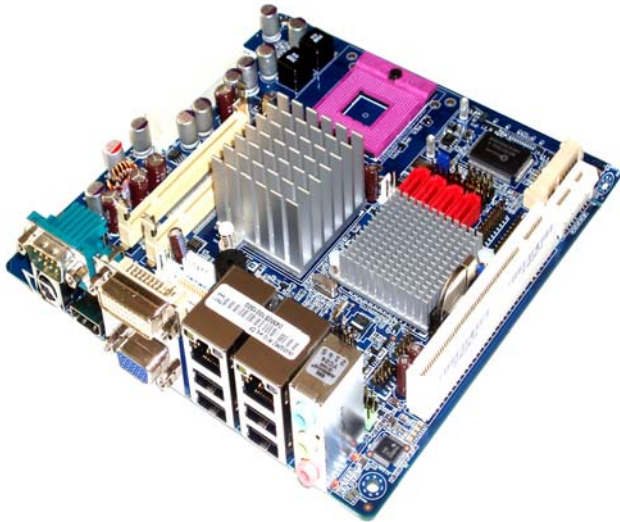


IM IX45GM2

Intel® GM45 Socket P Core™2 Quad/ Core™2 Duo/Celeron® M



Features

- Supports Intel® Socket P Core™2 Quad/ Core™2 Duo/ Celeron® M 45nm CPU
- Intel® GM45 + ICH9M-E Chipset
- Two 200-pin SODIMMs up to 4GB dual channel DDR2 800MHz SDRAM
- Intel 65nm Mobile GMCH Integrated Graphics 4500MHD
- Dual Display: VGA/DVI/HDMI/LVDS
- Realtek ALC888, 5.1 + 2 Channel with 2 independent HD Streaming Audio
- Intel 82567LM GbE LAN, Intel 82574L PCI-E GbE LAN for 2nd LAN (Optional)
- 1 Mini PCI-E, 1 PCI-E x 1, 1 CF socket, 1 PCI 2.3
- 5 COM, 8 USB, 4 SATA II
- TPM 1.2, AMT 4.0

Intel GMA 4500	Dual Display	HDMI	LVDS
DVI	Dual Intel GbE LAN	Mini PCI-E	PCI-E x 1
ATX Power	5.1 + 2 Audio	TPM 1.2	AMT 4.0

Specifications

System	
CPU	Intel® Socket P supports Core™2 Quad/ Core™2 Duo/ Celeron® M with 45nm process technology
FSB	1066/800/667 MHz
BIOS	AMI 32Mb BIOS
System Chipset	Intel GM45 + ICH9M-E
I/O Chip	Winbond W83627DHG-A+Fintek 81216G
System Memory	2 200-pin SODIMM sockets support up to 4GB Dual Channel DDR2 800MHz SDRAM
SSD	One Compact Flash Type I/II Socket (optional)
Watchdog Timer	Reset: 1 sec. to 255 sec./min. and 1 sec. or 1 min./step
H/W Status Monitor	Monitoring CPU temperature, voltage and cooling fan status. Auto throttling control when CPU overheats
Expansion	1 Mini PCI-E, 1 PCI-E x 1, 1 PCI 2.3
TPM	Intel Integrated TPM 1.2
S1/S2/S3	Yes
SmartFan Control	Yes

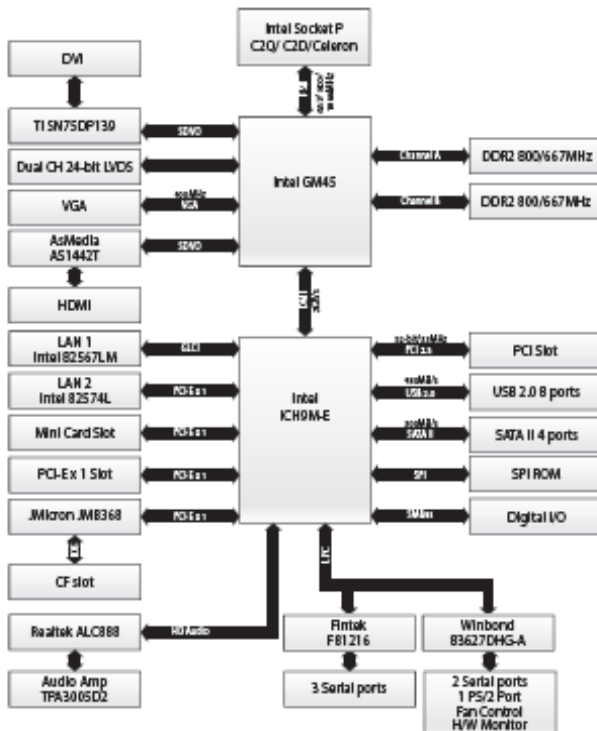
I/O	
MIO	4 SATA II, 8 USB, 5 RS-232, 1 PS/2 Keyboard+Mouse
USB	8 USB 2.0
GPIO	16-bit General Purpose I/O for 8-bit DI and 8-bit DO

Display	
Chipset	Intel 65nm Mobile GMCH Integrated Graphics 4500MHD
Display Memory	Intel DVMT 5.0 supports up to 512MB video memory
Resolution	2048 x 1536 @ 75 MHz
Dual Display	VGA+HDMI, LVDS+HDMI, VGA+DVI, LVDS+DVI
HDMI	On Board
LVDS	Dual channel 24-bit LVDS
DVI	T1 SN75DP139 DisplayPort to TMDs Transmitter

Audio	
Audio Codec	Realtek ALC888, 5.1 + 2 CH HD Audio 6W x 2 CH Amplified
Audio Interface	Mic-In, Line-In, Line-out

Ethernet	
LAN 1	Intel 82567LM Gigabit LAN
LAN 2	Intel 82574L PCI-E Gigabit LAN for 2nd LAN (Optional)

Block Diagram



Ordering Information

IX45GM2

Intel GM45 Mini-ITX Motherboard with VGA, DVI, HDMI, Audio, Dual Gb LAN, 5 COM, 4 SATA, 8 USB, 1 Mini PCI-E, 1 PCI-E x 1, 1 PCI 2.3 & 16-bit DIO

Product Offering

until 2015

Packing list

80I-GM4502-M000000		
IX45GM2 Mini-ITX Motherboard		x1
14G50000073V04		
COM 1+2 Cable 300mm pitch		x1
14G000100915		
SATA Cable Kit		x2

Back Panel I/O Port

- 1 PS/2 Keyboard+Mouse (Through Y-Cable)
- 1 RS-232 with 5V/12V power
- 1 VGA port
- 1 DVI port
- 1 HDMI port
- 4 USB 2.0/1.1
- 2 LAN RJ45 ports (2nd LAN optional)
- Audio I/O (3 jacks)

Internal I/O Connector

- 2 USB Connectors support additional 4 USB Ports
- 1 24-pin ATX Power Connector
- 4 COM Port Headers (no box), 1 with 5V/12V Power
- 4 SATA Connectors
- 1 Audio Amplifier Connector
- 1 Front Audio
- 1 Front Panel
- 1 S/PDIF Out
- 1 LVDS Connector
- 1 Inverter Power Connector
- 1 CPU Fan Connector
- 1 System Fan Connector
- 1 Digital IO Header

Mechanical & Environmental

Power Requirement 0.591A@19V (with Core 2 Duo T7100 1.8GHz & 1GB DDR2 SDRAM)

Power Type ATX

Operating Temperature 0 to 60°C (32 to 140°F)

Operating Humidity 0% to 90% relative humidity, non-condensing

Size (L x W) 6.69" x 6.69" (170 mm x 170 mm)

Weight 0.88lbs (0.4Kg)

