



www.ipc-markt.de

Industrial Monitor HI-19T

The Versatile 19" Color Touchscreen Monitor



Features

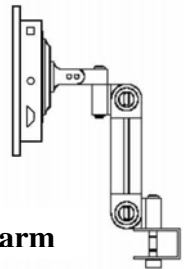
- Excellent Brightness & Contrast
- 4 industrial Inputs :
VGA, DVI, S-Video, Video Composite
- VESA- Holder
- 5 Wire resistive Touchscreen (RS/232 or USB)
- Capacitive Touchscreen (optional)
- 19" Rack (R) – or Panel-Mounting (P)
- Full Metall Sheet Chassis for optimal electrical and thermal protection

Model NO.	HI-19T	
Viewing Area	19"	
Touch Panel	E-Turbo	5 Wire resistive
Resolution	1280 x 1024	SXGA
Eff. Display Area	367,3 x 301,1	mm
Colors	16 Mio	
Response Time	15/10 ms	
Contrast Ratio	700 : 1	
Brightness	300 cd/qm	
Viewing Angle	H 170 x V170	
Input Signal	Analog VGA /	DVI / S-Video Comp. Video
Input Connector	D-sub 15pin /	DVI /Cinch
Scan Frequency	H:30- 80 KHz	V: 50-75Hz
Power Mgmt	VESA DPMS	Standard
Consumption	50W @12VDC	Opt. Extern. 12 V Adapt.
Dimensions (mm)	See Drawing	
Op. Temperature	0-50 Degr. C	
Weight	6 KG	
Standard	IP-65 (Front)	(Optional)

Optional Accessories

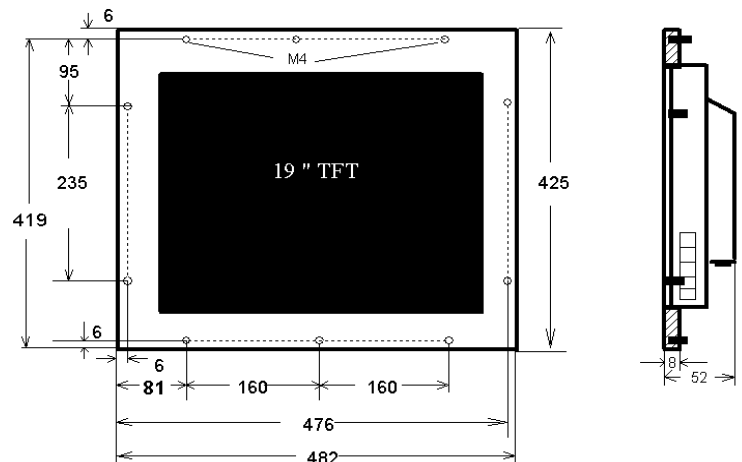


Holder for Mini-IPC
Back-Site Mounting

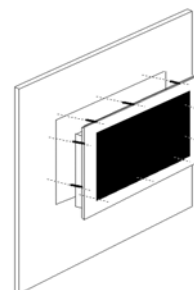
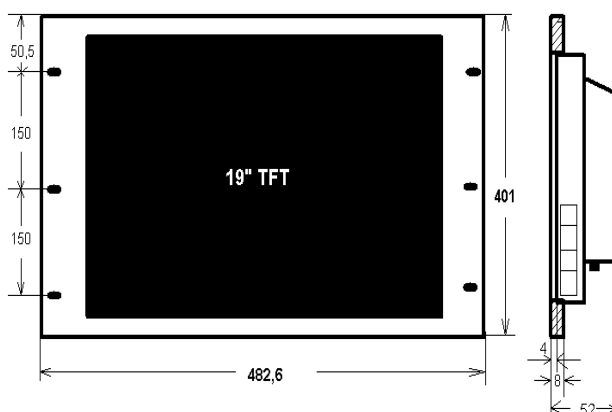


Swingarm

19" TFT Panel-Mounting



19" TFT Rackmounting (19"-Mounting)



Specification subject to change without notice