



www.ipc-markt.de

# Industrial Monitor HI-15

The Versatile 15" Color TFT Monitor



## Features

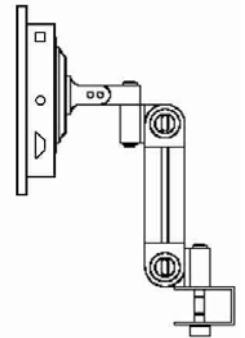
- Coated Protective Security Glas
- Excellent Brightness & Contrast
- 13:10 Presentation
- 4 industrial Inputs :  
VGA, DVI, S-Video, Video Composite
- VESA- Holder
- Rack (R) or Panel Mounting( P)
- Full Metall Sheet Chassis for optimal electrical and thermal protection

## Optional Accessories

Model NO.	HI-15	
Viewing Area	15"	
Touch Panel		Option
Resolution	1024 x 768	XGA
Eff. Display Area	304,1 x 228,1	mm
Colors	16 Mio	
Response Time	< 8 ms (typ)	
Contrast Ratio	500 : 1	
Brightness	400 cd/qm	
Viewing Angle	H 140 x V 125	
Input Signal	Analog VGA / DVI / Video Comp. S-Video	
Input Connector	D-sub 15pin / DVI / Cinch	
Scan Frequency	H:30- 60 KHz V: 50-75Hz	
Power Mgmt	VESA DPMS Standard	
Consumption / Power Supply	35W @12/24VDC 12 VDC Adapter 24 VDC (opt.)	
Dimensions (mm)	See Drawing	
Oper. Temperature	0-50 Degr. C	
Weight	4,8 KG	
Standard	IP-65 (Front) (Optional)	

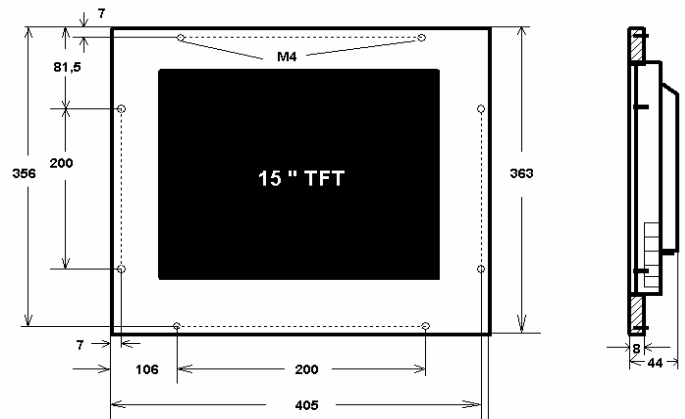


Holder for Mini-IPC Back-Side Mounting



Swing Arm

## 15,1" Panel-Mounting



## 15,1" Rackmounting (19")

