



SSC2845 (Double Side LCD Display)

Two 28" Resizing LCD, 1000 nits LED backlight, 1920x357 ultra wide aspect ratio 16:3

SSC2845 is an innovative ultra-wide, sunlight readable, slim, LED backlight Double Side LCD display. It provides LCD panel with specific ratios for digital signage, public transportation, exhibition hall, department store, vending machine and industrial applications. Add content can be playback by optional smart TV dongle, with optional swivel base, SSC2845 can rotate 360° automatically.

Key Features

- Resizing LCD
- Double Side LCD Display
- Ultra Wide Screen (16 : 3)
- Sunlight Readable
- LED Backlight
- High Brightness 1000 nits
- High Uniformity (90%)
- Wide Dimming
- Life Expectancy (70,000hrs)
- Portrait / Landscape Mode (Optional)
- Slim Bezel
- Thickness: 40mm

Applications

Digital Signage, Vending Machine,
Department Store, Transportation



Specifications

V1

Model No.	SSC2845
Description	Two 28" Resizing LCD, 1000 nits LED backlight, 1920x357
Display Area	698.4 x 129.8 mm
Brightness	1,000 cd/m ²
Resolution	1920 x 357
Aspect Ratio	16 : 3
Contrast Ratio	6800:1
Pixel Pitch (mm)	0.3637 x 0.3637
Viewing Angle	178°(H), 178°(V)
Display Colors	16.7M
Response Time (Typical)	8 ms
Sync	LVDS
Power Consumption	76W
Dimensions (mm)	1250.9 x 368 x 40
Weight (Net)	12 Kg
LED Driving Board	LID28A
Control Board (Optional)	AD2662GDHMA
<input type="checkbox"/> AD2662GDHMA	VGA + DVI + HDMI + Audio
F / R Control Button	4 Key
<input type="checkbox"/> 4 Key	Power Switch, Menu, Select (+,-),
OSD Menu	Brightness, Contrast, H/V Position, Color, Phase, Clock...
Optional	<input type="checkbox"/> swivel base (Power Consumption: 11W)

Specifications are subject to change without notice.

All brands or product names are trademarks or registered trademarks of their respective companies.

SSC = Panel + LED Driving Board + Control Board



Mechanical Drawing

Outline Dimensions

Note :
 O.D. : Outline Dimension
 B.O. : Bezel Opening
 A.A. : LCD Active Area

MEMBRANE+KEY(D)
MEMBRANE+KEY(O)

1:0.2

AA=136.1
BO=129.7

AA=697.7
BO=704.4
748.4

186.1
1250.9

40
318

VGA-1
DC 5V-2
HDMM-2
HDMM-1
DVI-2
VOA-2
DVI-1
AUDIO-1

368
346
61
154
368

AC IN
DC 24V

LEVEL	General	tolerance ±	SEARCH	APPROVED	CHECKED	DESIGNED
1	0 - .4	0.05	0.1	0.1		
2	.4 - .14	0.05	0.1	0.1		
3	.14 - .49	0.1	0.2	0.2		
4	.49 - .80	0.1	0.3	0.3		
5	.80 - 600	0.3	0.5	0.5		
6	600 - 6000	0.5	0.8	0.8		

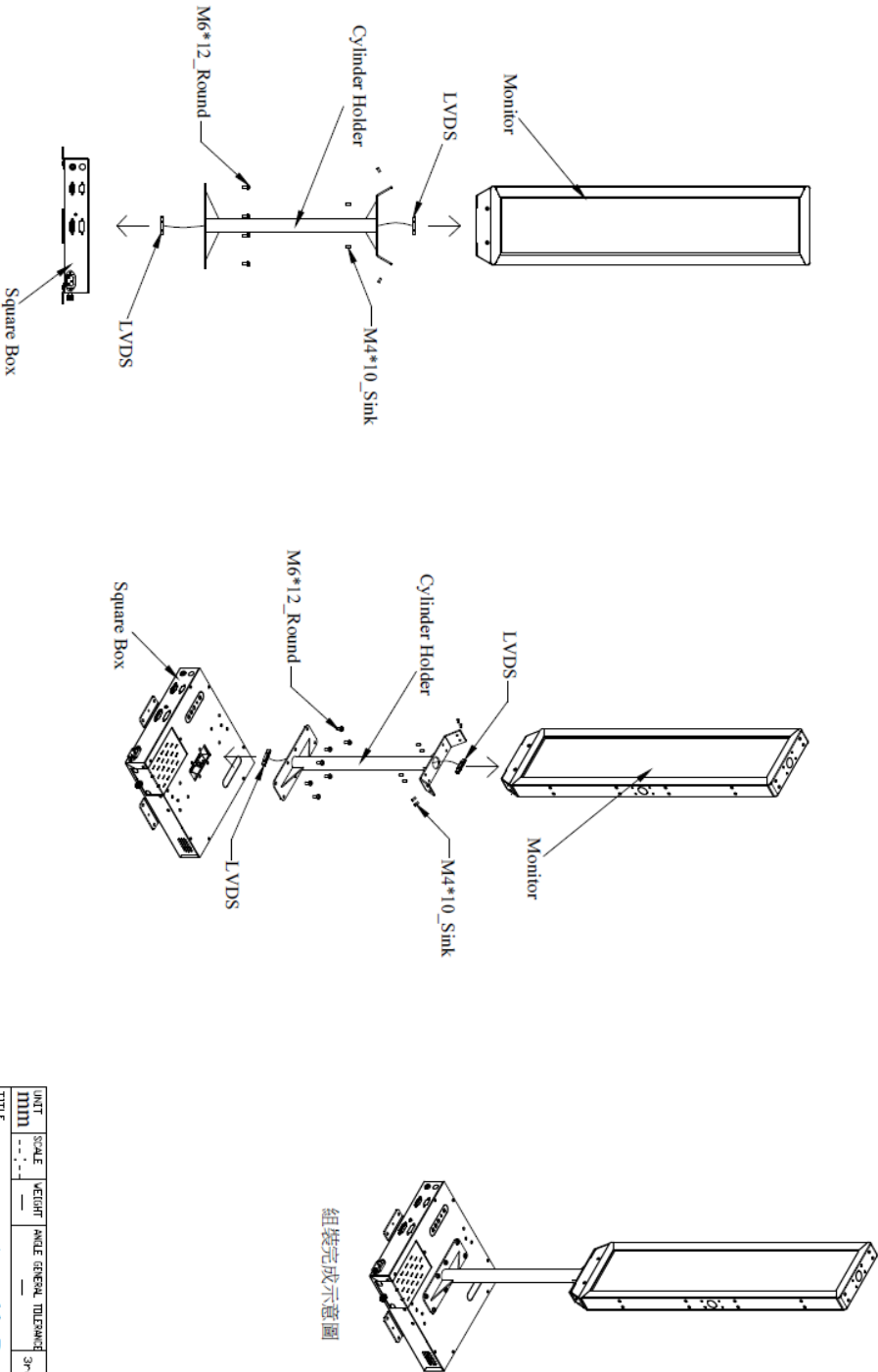
DATE	REVISION	DESCRIPTION	BY
2014/04/30	1	Design Drawing	Alden

UNIT: mm	SCALE: 1:1	VARIANT: SSS2845-ENN-001	DEVELOPING: Alden
TITLE: DIM			

REV	ECN. N.	DESCRIPTION	SIGN	DATE
AN		Design Drawing	Alden	2014/04/30



Note :
M4*10_Sink (8 pcs)
M6*12_Round (8 pcs)



REV	ECN NO.	DESCRIPTION	SIGN	DATE
AN		Design Drawing	Alden	2014/05/23

APPROVED	CHECKED	DESIGNED	DATE
		Alden	2014/05/23

LEVEL	General tolerance	±	SELECT	MATERIAL	DATE
0 ~ 4	0.05	0.1	0.1		
4 ~ 14	0.05	0.1	0.1		
14 ~ 53	0.05	0.1	0.1		
53 ~ 200	0.1	0.2	0.2		
200 ~ 400	0.1	0.3	0.3		
400 ~ 600	0.1	0.3	0.3		
600 ~ 800	0.1	0.3	0.3		
800 ~ 1000	0.1	0.3	0.3		

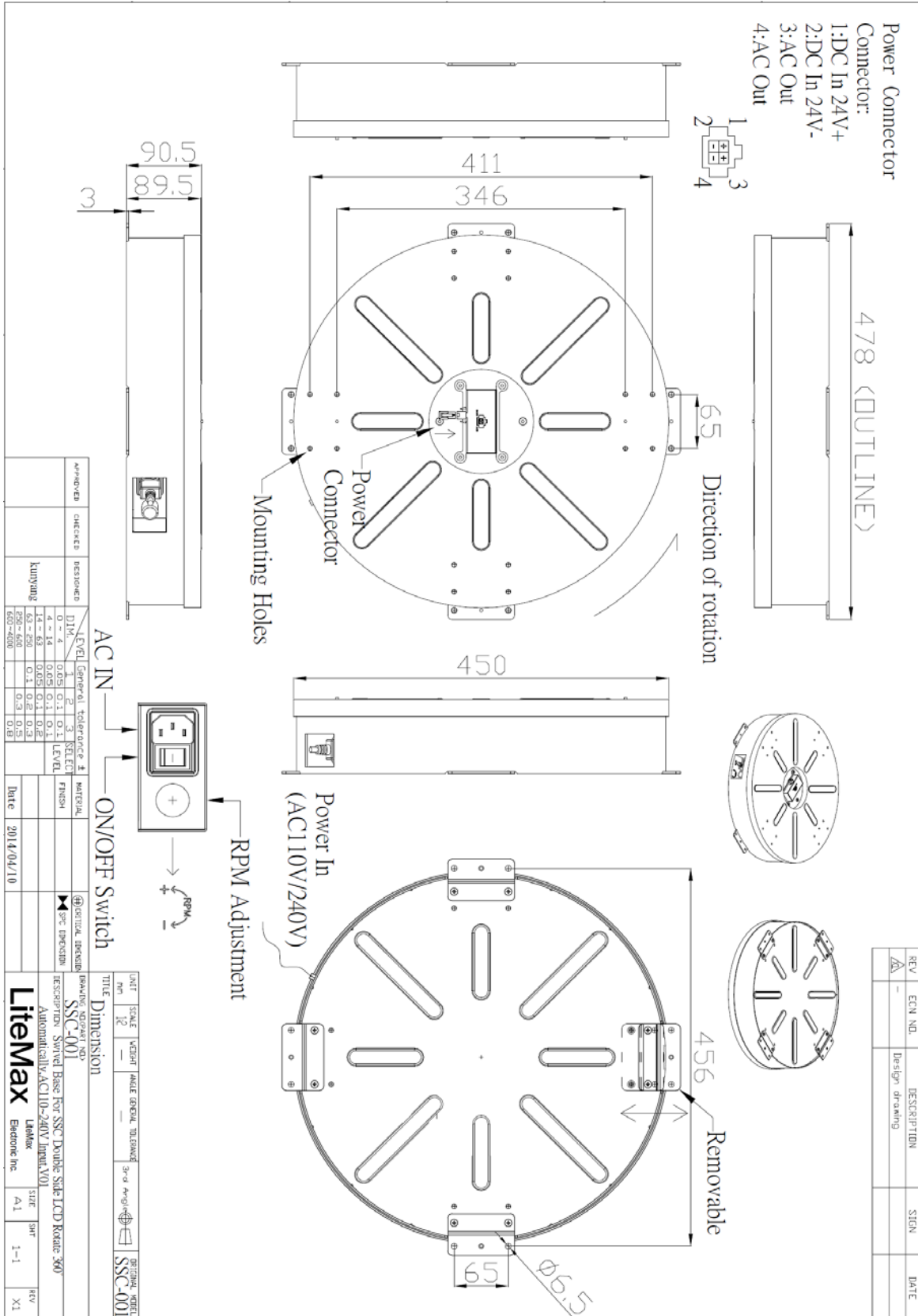
UNIT	SCALE	WEIGHT	ANGLE	GENERAL TOLERANCE	3rd Angle	DIRECTIONAL MODEL
mm	1:1					SSC2845

TITLE: Assembly Drawing
 DRAWING NUMBER NO: SSC2845-ENN-G01
 DESCRIPTION: 28" x 1100mm x 1900mm LED TV
 LiteMax Electronic Inc. SIZE: A4
 SH: 1-1
 REV: V1



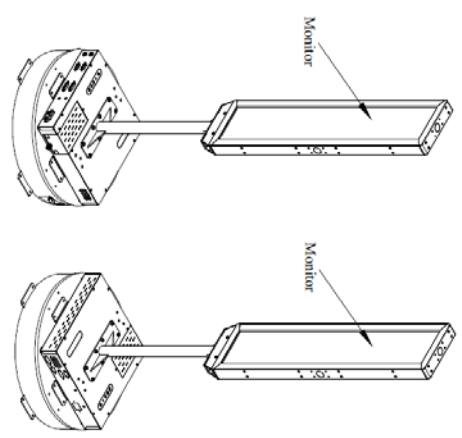
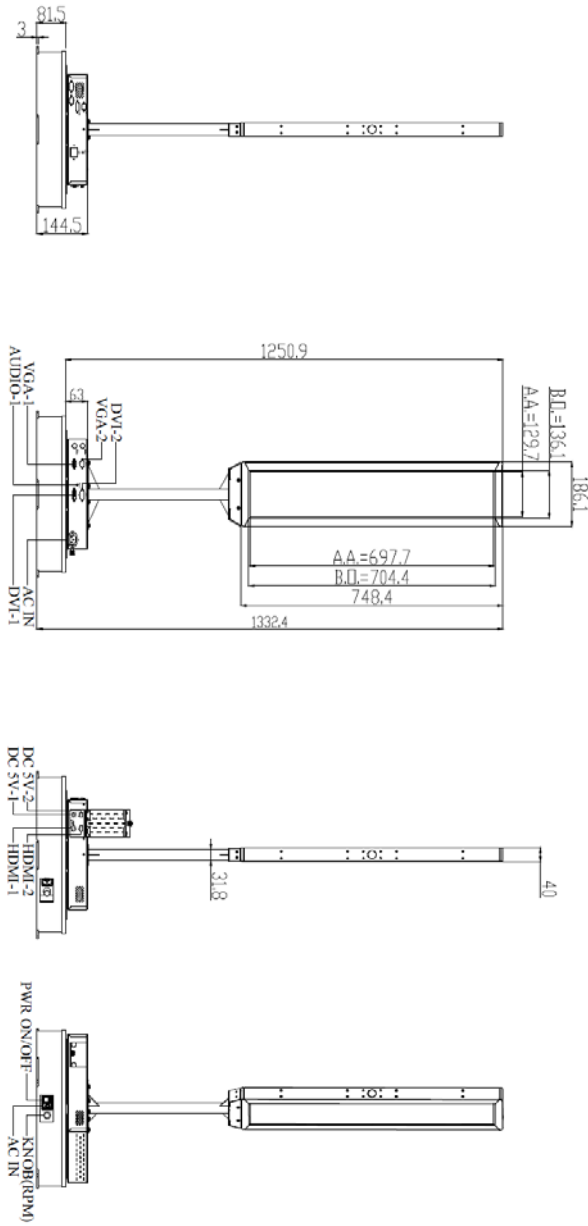
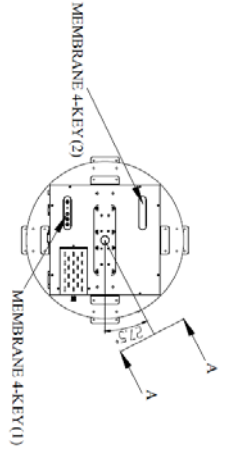
Outline Dimensions

Optional: SSC-001 (Swivel base for SSC Double Side LCD rotate 360° automatically)





Note :
 O.D. : Outline Dimension
 B.O. : Bezel Opening
 A.A. : LCD Active Area



視圖 A-A

APPROVED	CHECKED	DESIGNED	LEVEL			General tolerance	±	MATERIAL
		Alden	DIM.	1	2	3	SELEC.	FINISH
			0 ~ 4	0.05	0.1	0.1	LEVEL	
			4 ~ 14	0.05	0.1	0.1		
			14 ~ 63	0.05	0.1	0.2		
			63 ~ 250	0.1	0.2	0.3		
			250 ~ 630	0.3	0.5	0.5		
			630 ~ 1600	0.5	0.8	0.8		
			Date	2014/04/30				

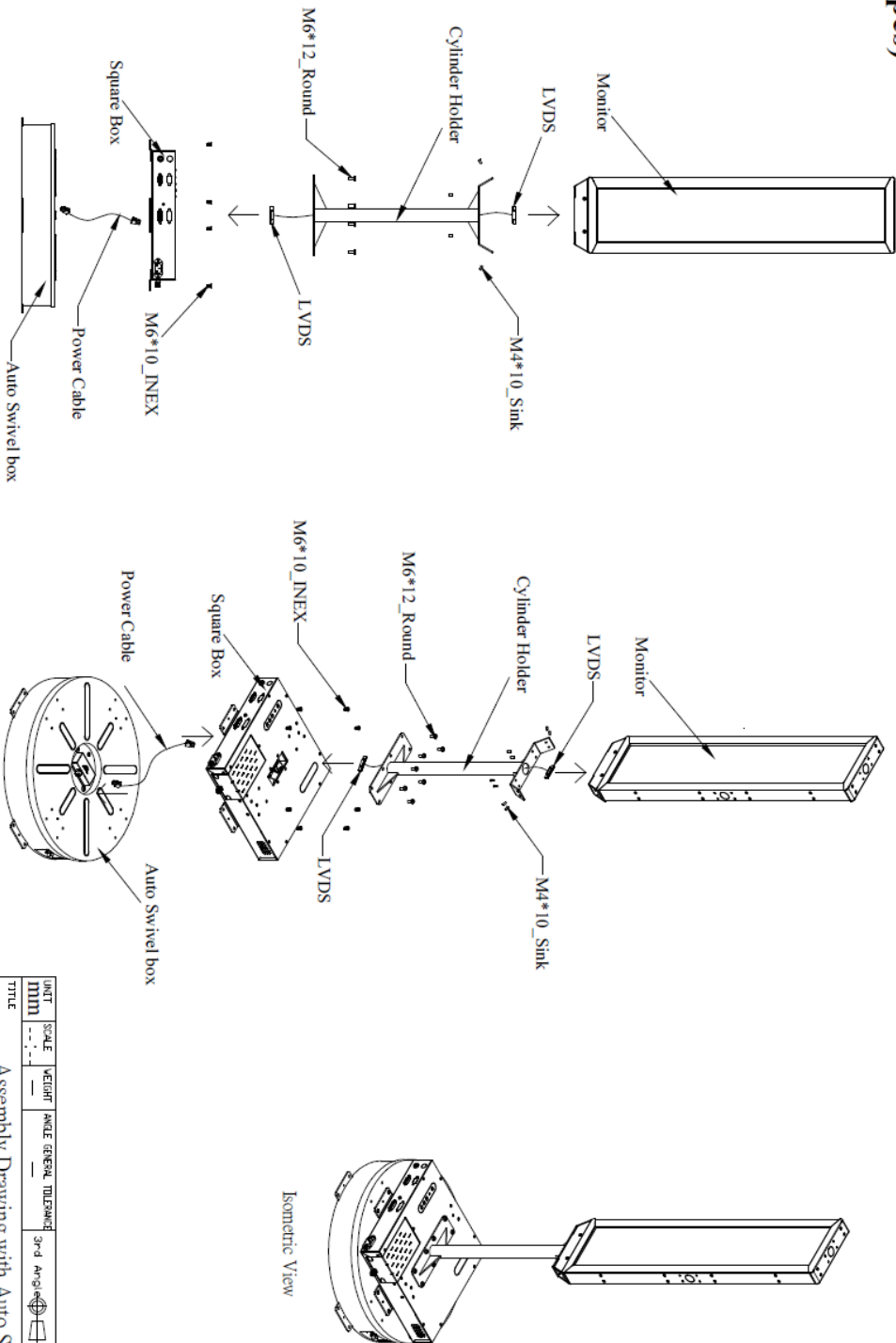
UNIT	SCALE	WEIGHT	ANGLE	GENERAL TOLERANCE	3rd Ang	ORIGINAL REF.
mm	1:1					RS-SSC2845
TITLE	DIM 含轉盤					
DRAWING NUMBER NO.	RS-SSC2845-ENN-G01					
DESCRIPTION						

LiteMax	LiteMax	SIZE	SHR	REV
Electronic Inc.		A4	1-1	X1

REV	ECONO	DESCRIPTION	SIGN	DATE
AA		Design Drawing	Alden	2014/04/30



Note :
M4*10_Sink (8 pcs)
M6*12_Round (8 pcs)
M6*10_INEX (8 pcs)



REV	ECN NO.	DESCRIPTION	SIGN	DATE
1/1		Design Drawing	Alden	2014/05/23

APPROVED	CHECKED	DESIGNED	DATE
		Alden	2014/05/23

LEVEL	General	tolerance	±	SELECT	MATERIAL	FINISH	OPTICAL DIMENSION
1	0.25	0.1	0.1	LEVEL			see DIMENSION
2	0.1	0.05	0.05	LEVEL			
3	0.05	0.02	0.02	LEVEL			

UNIT	SCALE	UNIT	ANGLE	GENERAL	TOLERANCE	3rd ANGLE	DIRECTIONAL INDICATOR
mm	1:1	mm	0	ASME	0.1	ASME	SSC2845

LiteMax Electronic Inc. SIZE A4 SHY 1-1 REV VI



Ordering Information

Model Name	Description
SSC2845-ENN-G01	28"*2,1000nits,1920*357,LID28A,AD2662GDHMA,speaker/2W*2,OSD, AC100~240V input,V1

Optional Accessories

Part Number	Description
SSC-001	Swivel base for SSC Double Side LCD rotate 360° automatically, AC100~240V input,V1
810618301010 (Optional)	CABLE.POWER.AC.1830mm.(US Type).3PIN PLUG TO SOCKET.SVT(SPT-2)18AWG 3C BLACK.P.
810618301090 (Optional)	CABLE,POWER,AC,1830mm.(EU Type) 3PIN PLUG TO.SOCKET,H05VV-F 3G.0.75MMSQ BLACK,P
810618301050 (Optional)	CABLE,POWER,AC,1830mm.UK(FUSE) 3PIN PLUG TO.SOCKET,H05VV-F 3C(3G) 0.75MMSQ BLACK,P
810618301170 (Optional)	CABLE.POWER,AC,1830mm. (AU Type) 3PIN PLUG TO 2P SOCKET.LTSA 0.75MMSQ BLACK,P
810618301030 (Optional)	CABLE.POWER.AC.1830mm.(JP Type).2PIN PLUG Y TERMINAL TO. SOCKET.VCTF 3C 0.75MMSQ BLACK,P